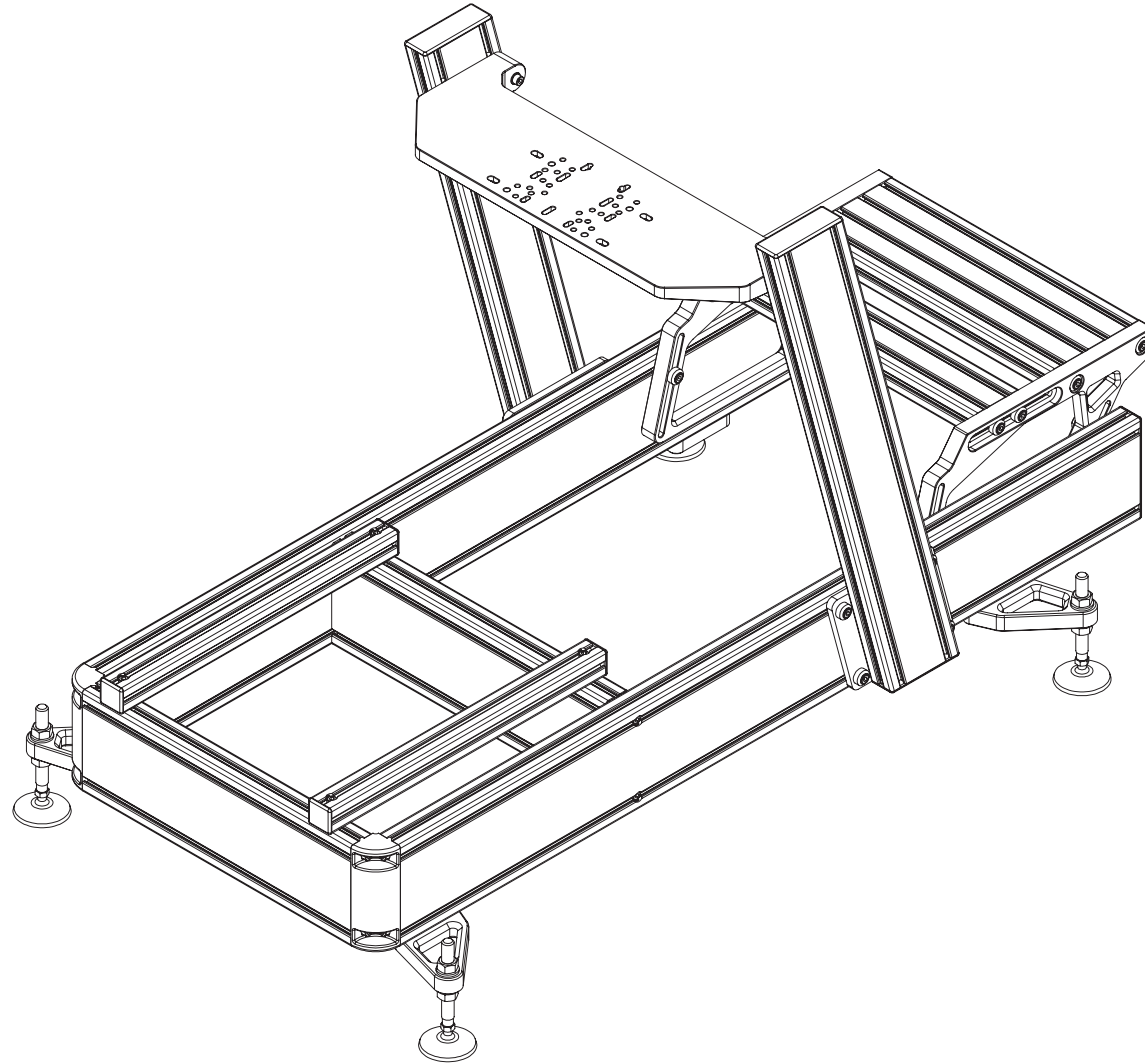


SIM LAB

INSTRUCTION MANUAL



P1-X PRO COCKPIT

VERSION 1.02

Last updated: 18-12-2023

BEFORE YOU START:

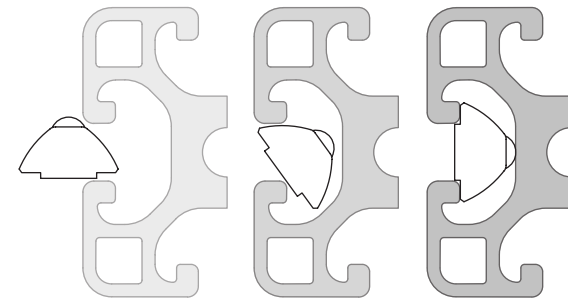
Thank you for purchasing this Sim-Lab product! On the following pages, you will find detailed instructions on assembly. This requires only a set of simple tools and some of your time. Please check the bill of materials before starting (pages 23/24) and make sure all the parts are delivered.

For the angled profiles, the lengths in the bill of materials might not perfectly match the length of the part you measure. Don't worry, we measure differently when cutting the profiles and with the angles as they are, the given dimensions are a close approximation.

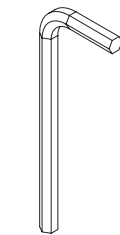
We tried to go with a different style of assembly for this one. Don't panic if you can't find any corner brackets included in the hardware bags.

Inserting Slot-Nuts:

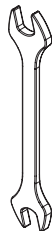
You got excited, finished the build, put the caps on, but forgot to install one element. Do not worry. It happens to everyone. In this diagram, you can see how to insert a Slot-Nut directly into the slot from the side. You can also use one of your smaller Hex wrenches to help wiggle the Slot-Nut in place.



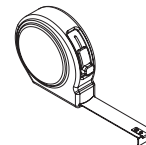
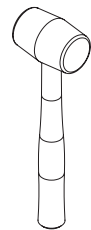
Tools needed:



5/6MM



24MM

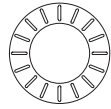
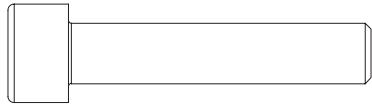
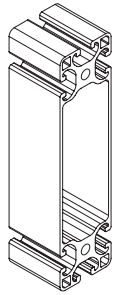
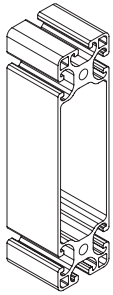


1350MM

500MM

M8 X 40

Washer M8
(DIN 988)



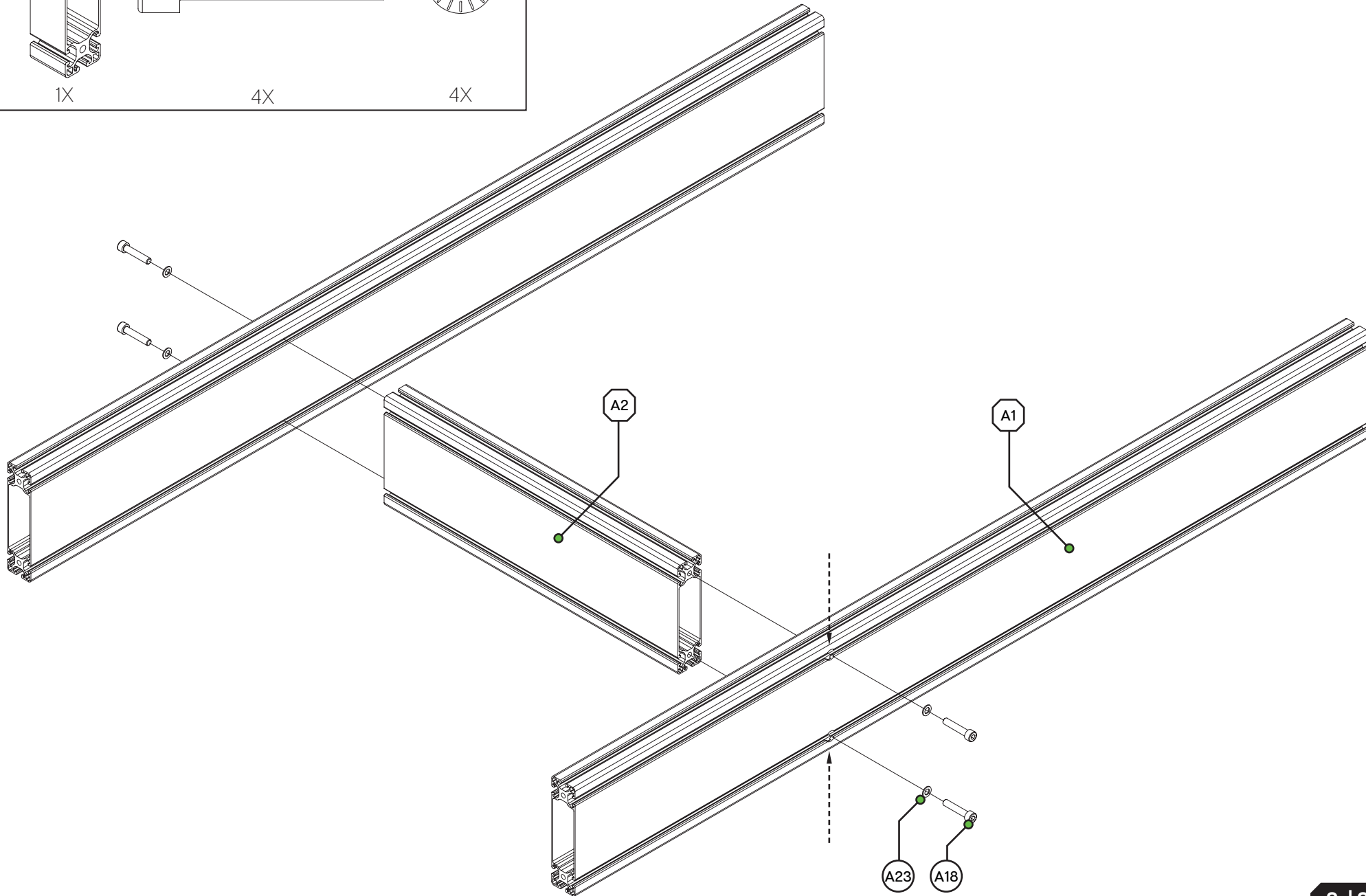
2X

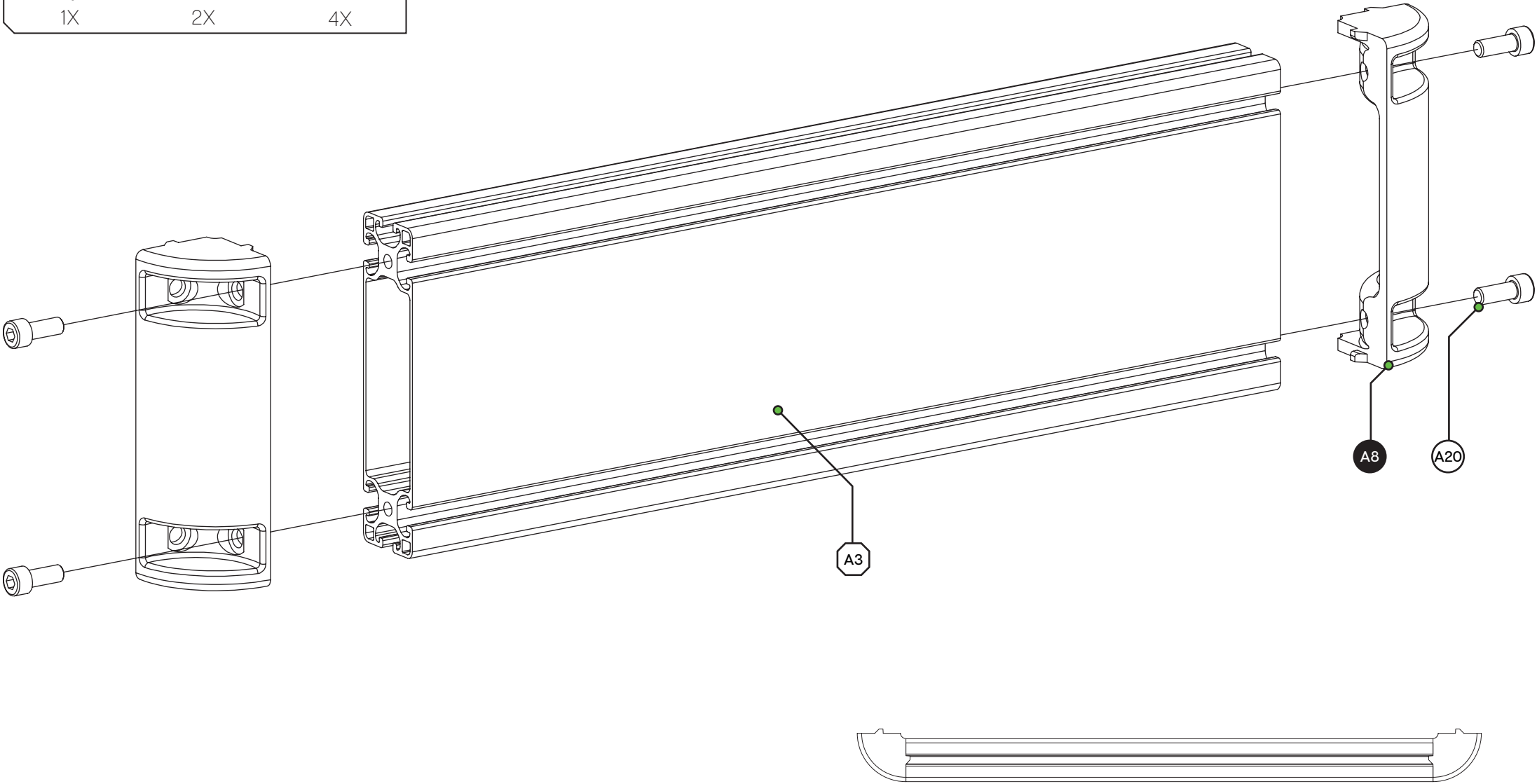
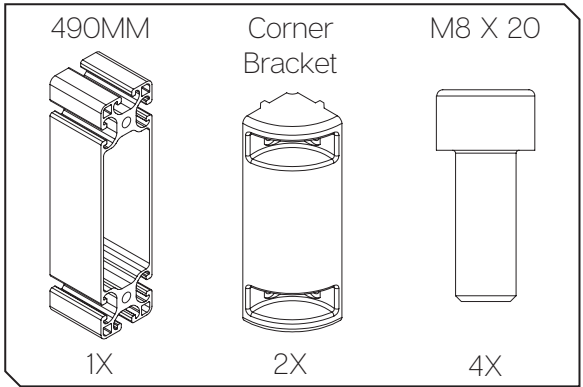
1X

4X

4X

Note: the counterbores should point (arrows)
to the outside of the cockpit.



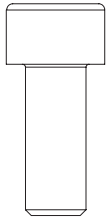


Profile 160x40
End-Cap



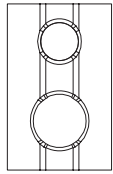
2X

M8 X 20

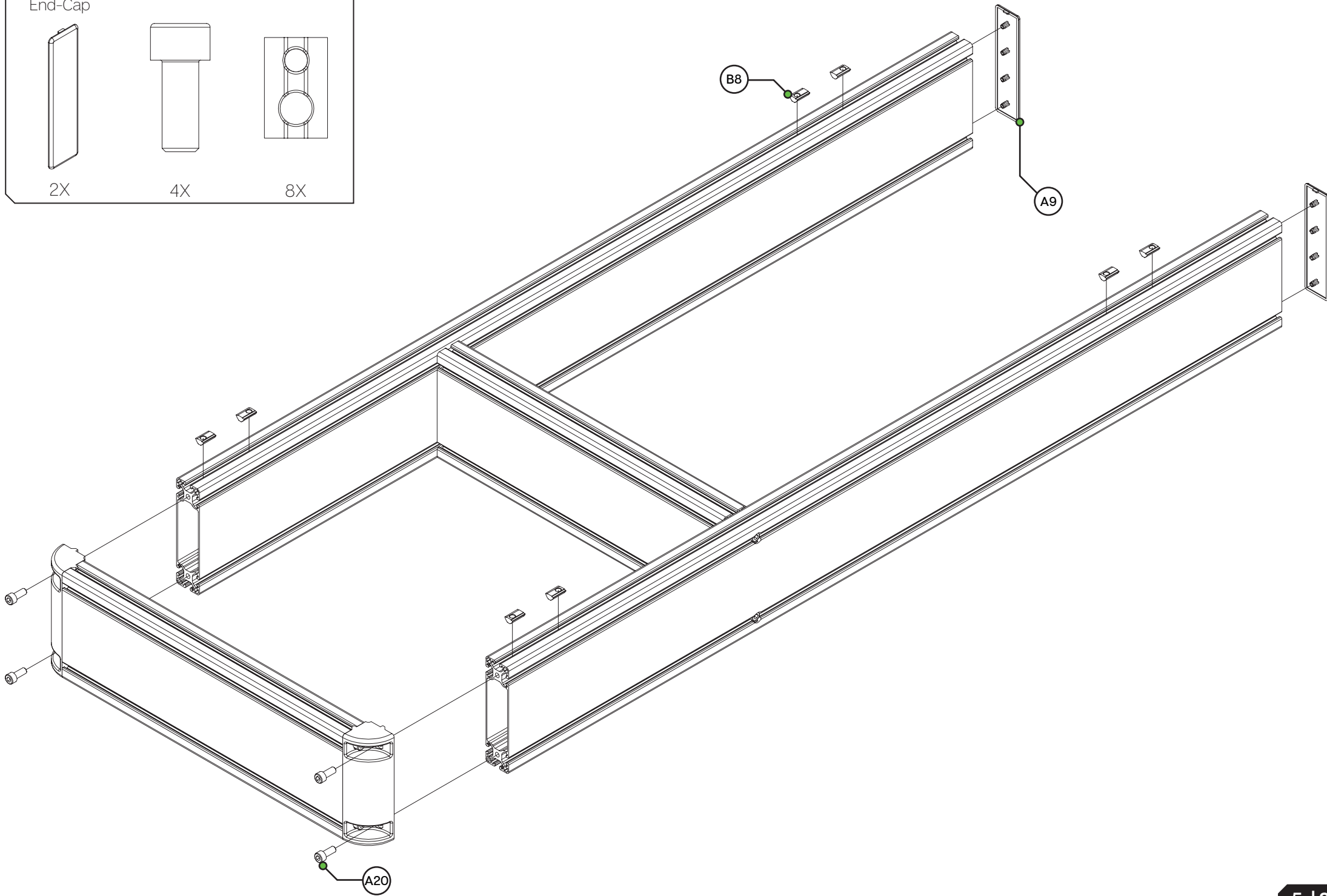


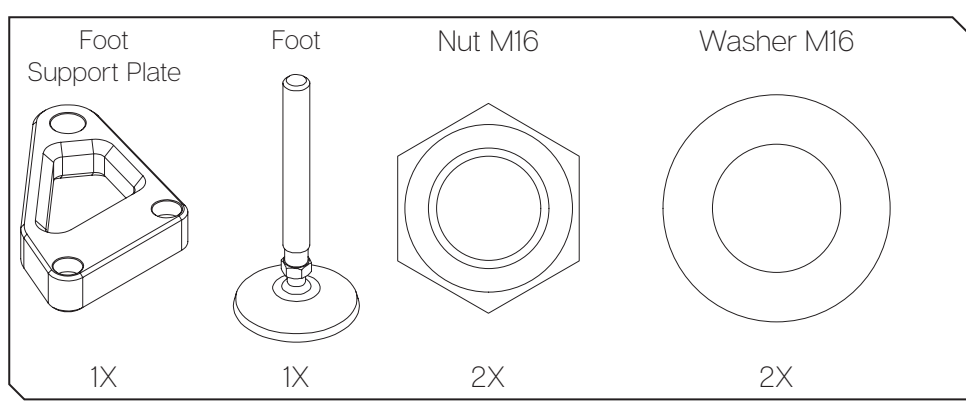
4X

Slot-Nut M8

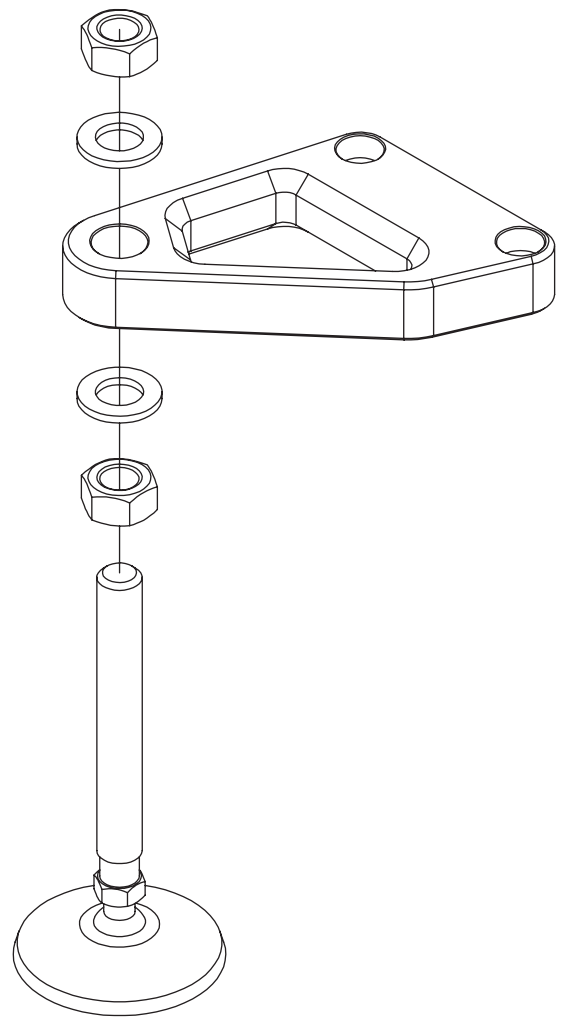
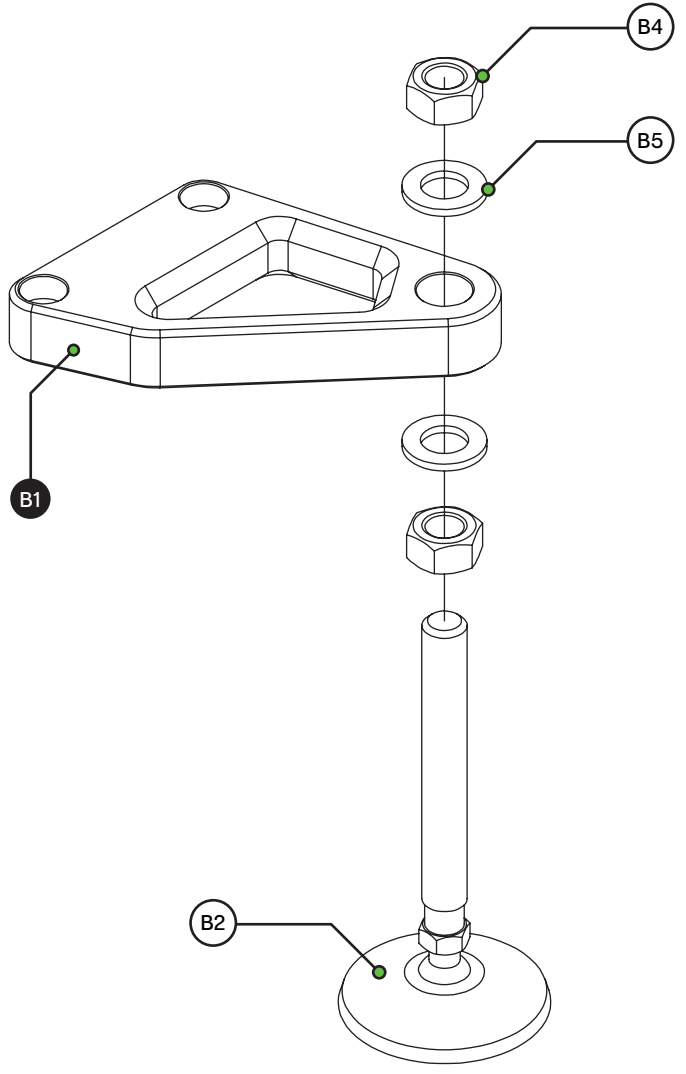
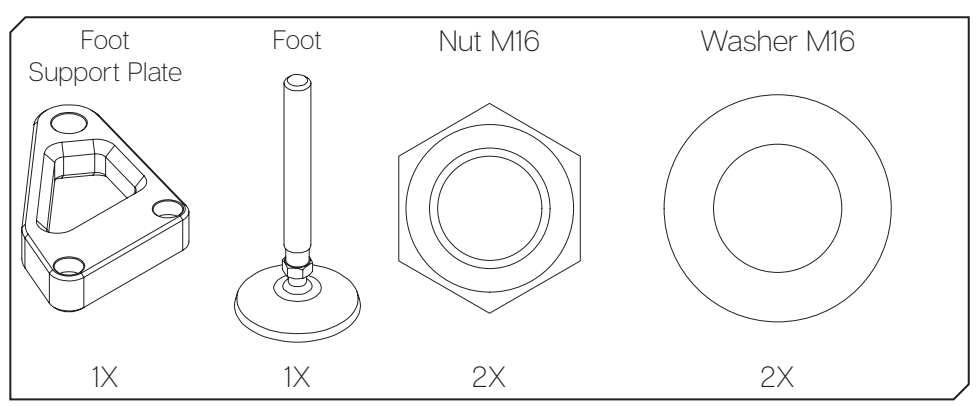


8X

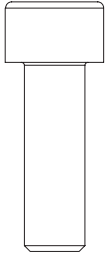




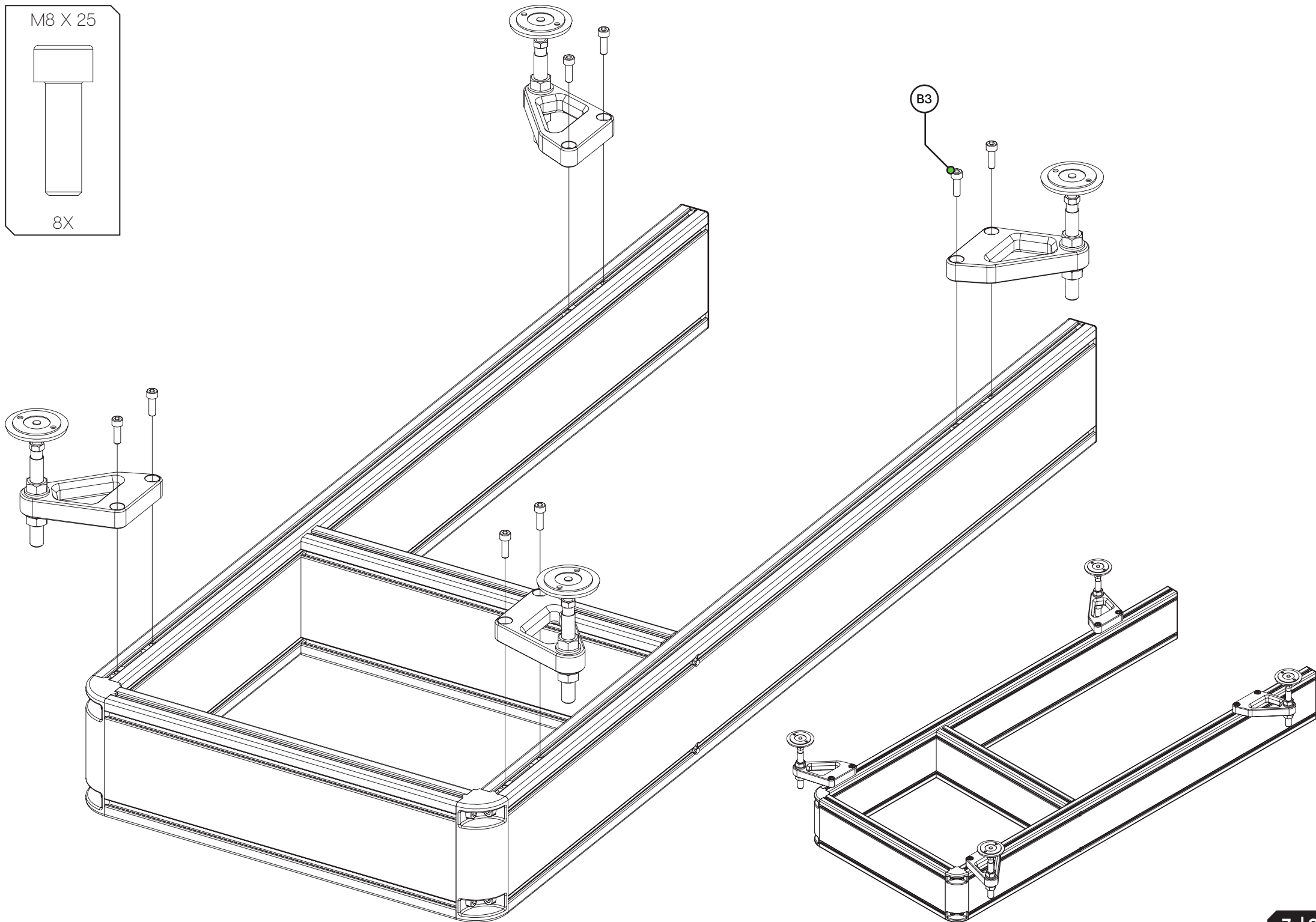
**BUILD
BOTH
VERSIONS
2X**

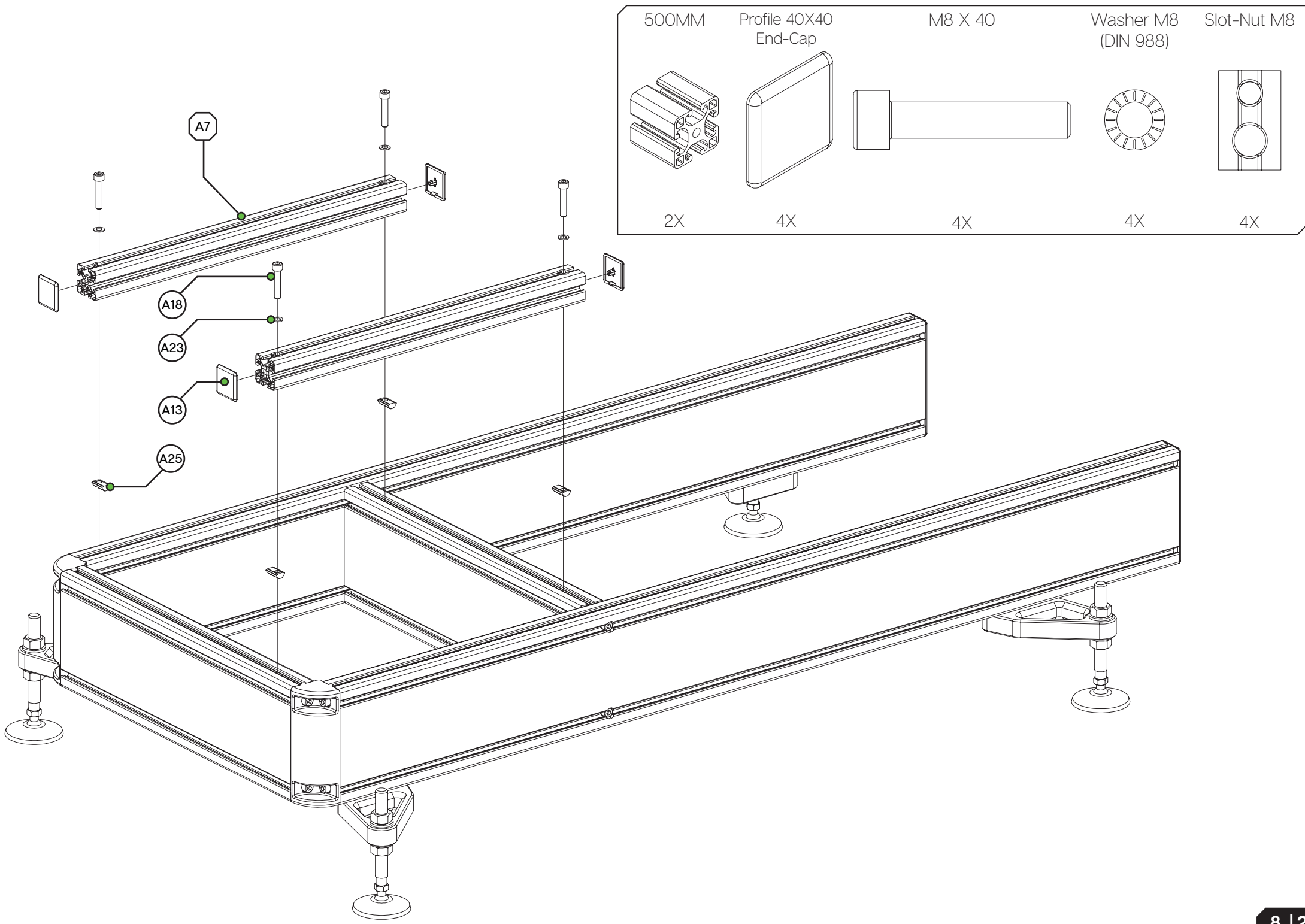


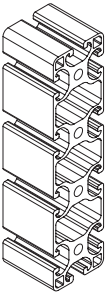
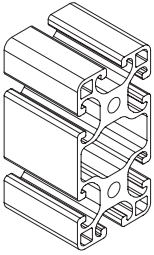
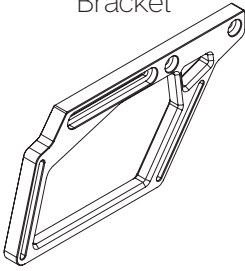
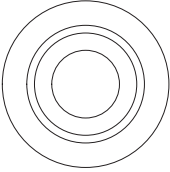
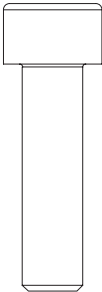
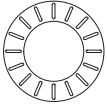
M8 X 25

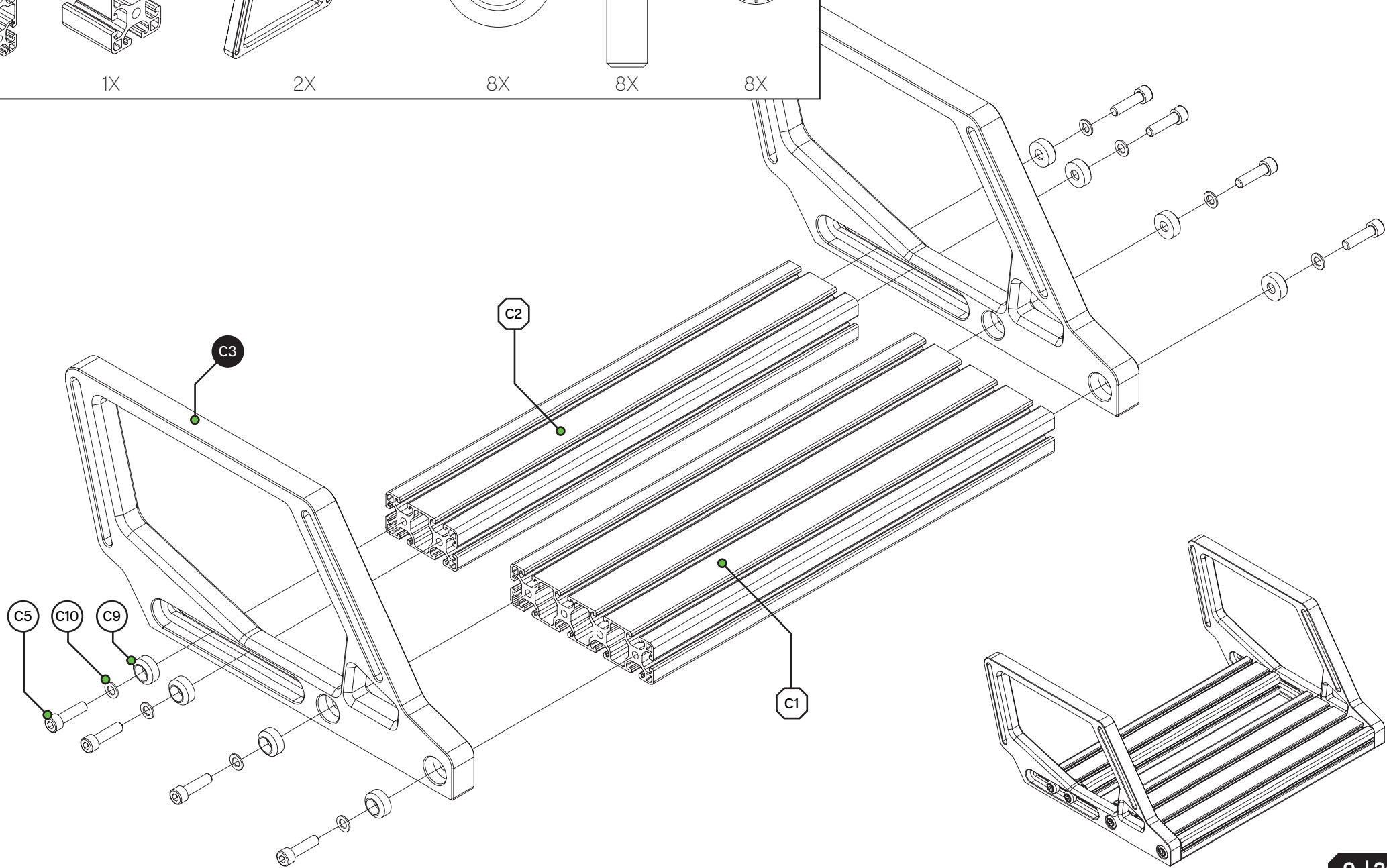


8X

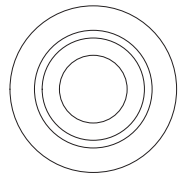




470MM	470MM	Pedal Deck Bracket	Cap-Washer M8	M8 X 30	Washer M8 (DIN 988)
					
1X	1X	2X	8X	8X	8X

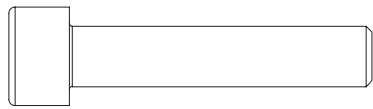


Cap-Washer
M8



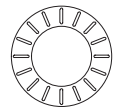
4X

M8 X 40



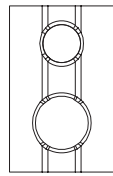
4X

Washer M8
(DIN 988)

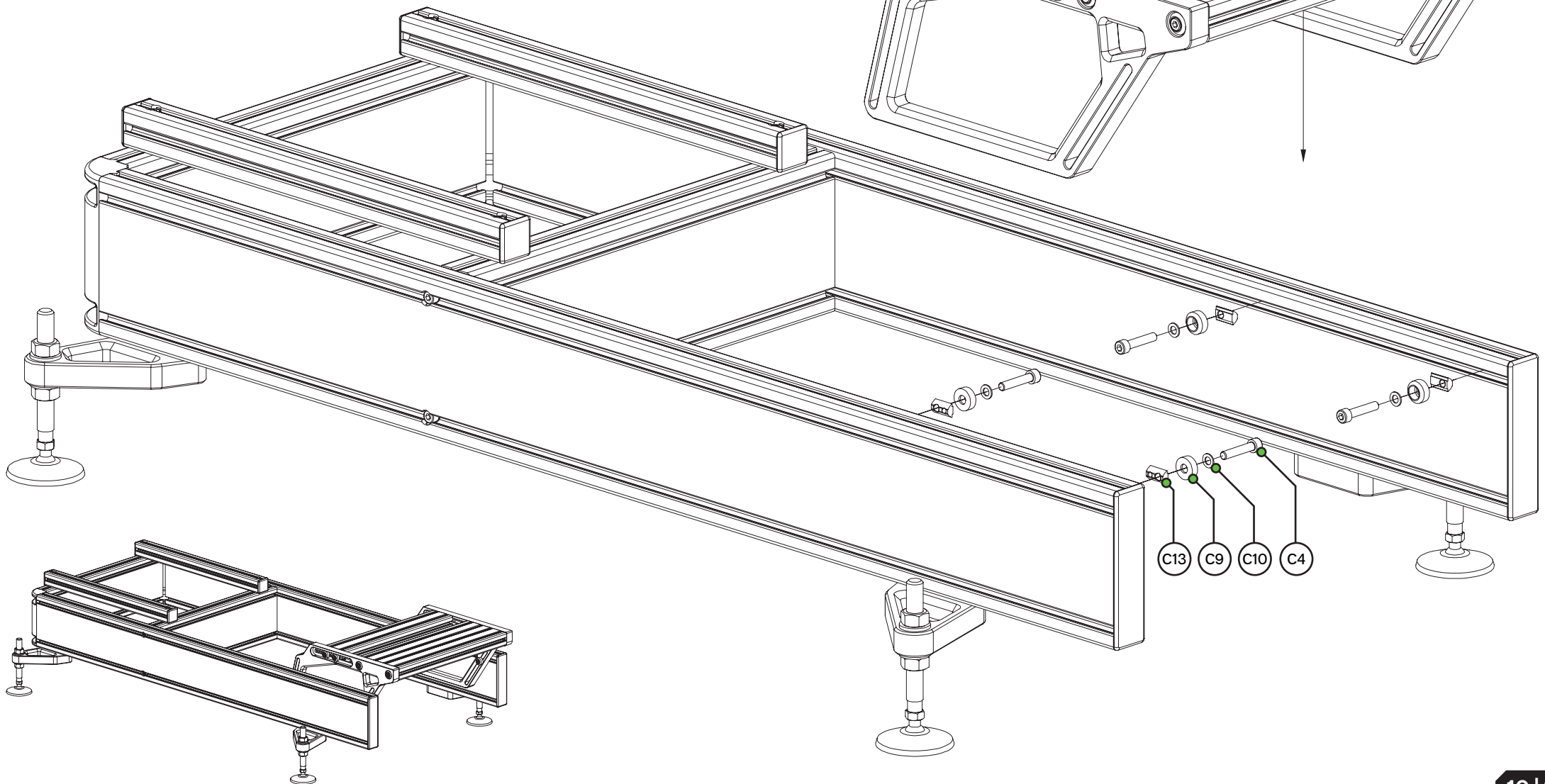
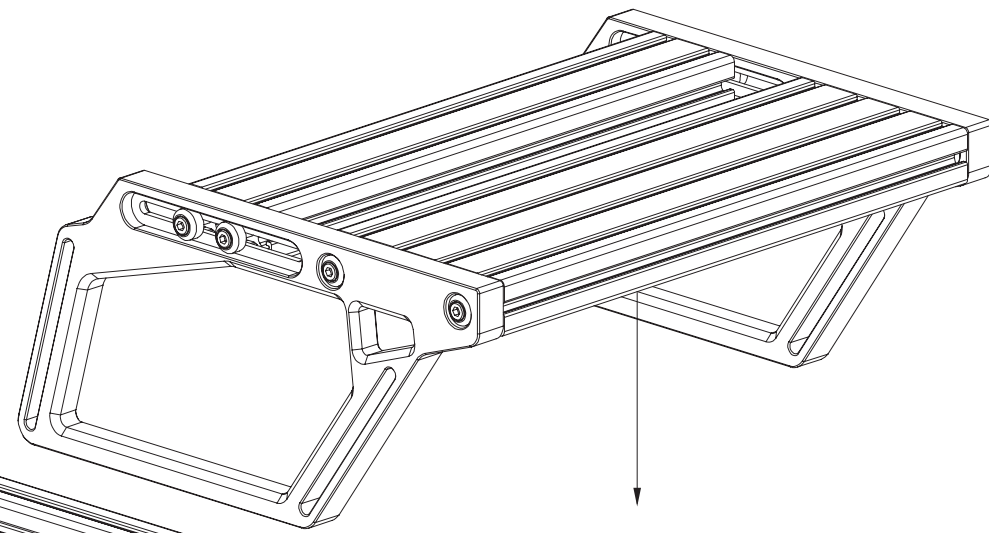


4X

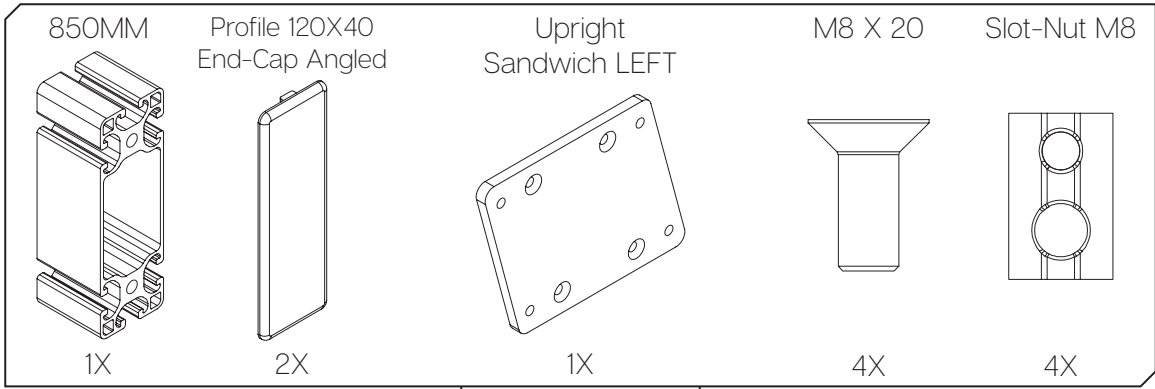
Slot-Nut M8



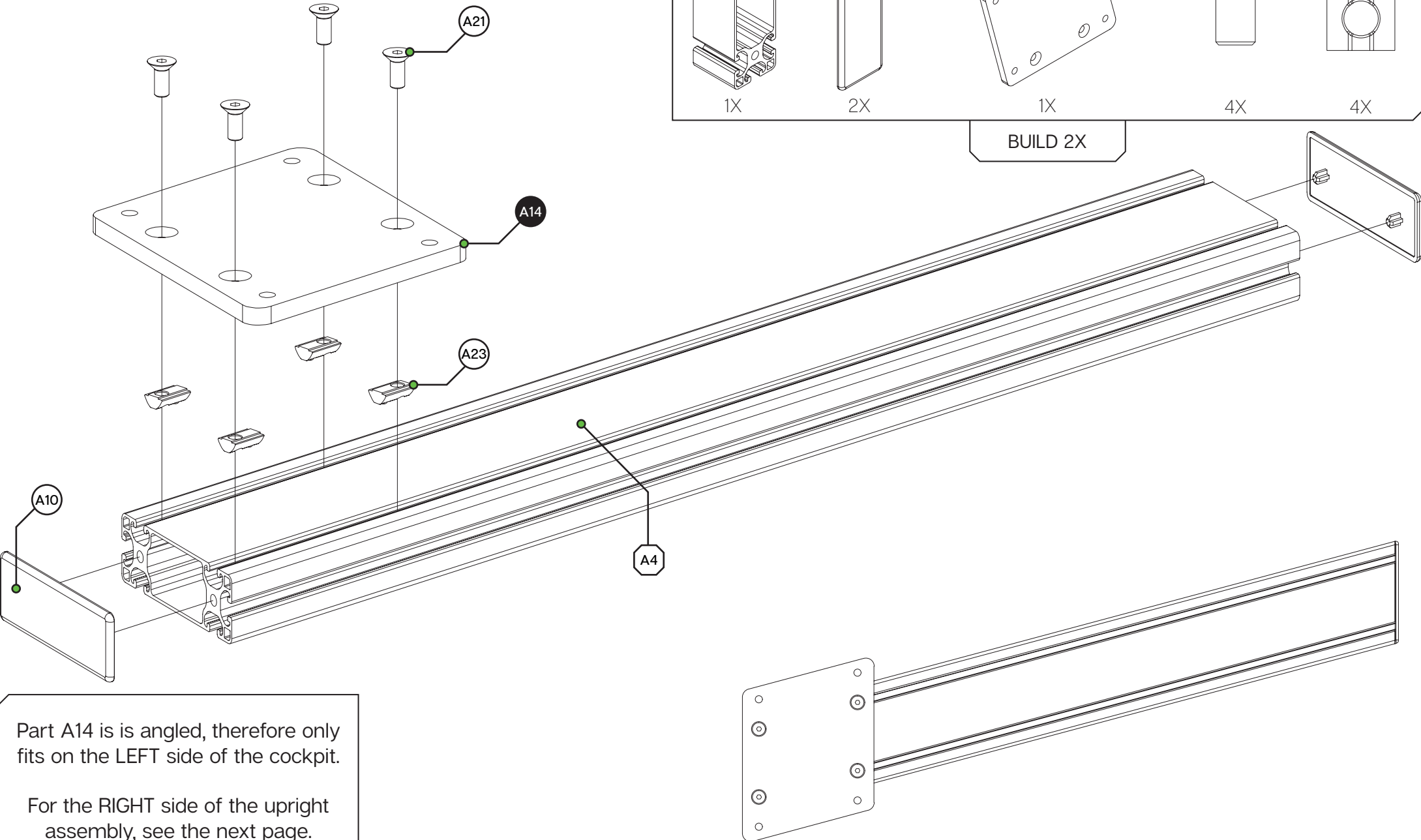
4X



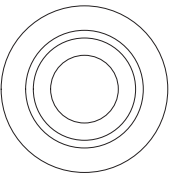
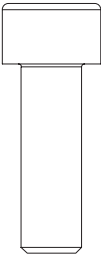
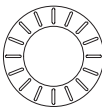
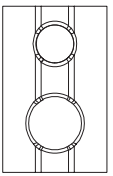
C13 C9 C10 C4

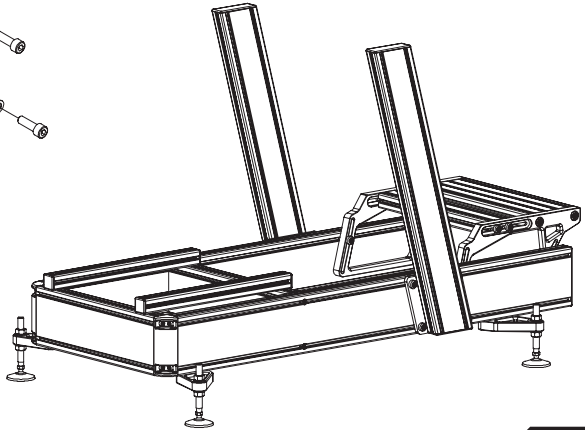
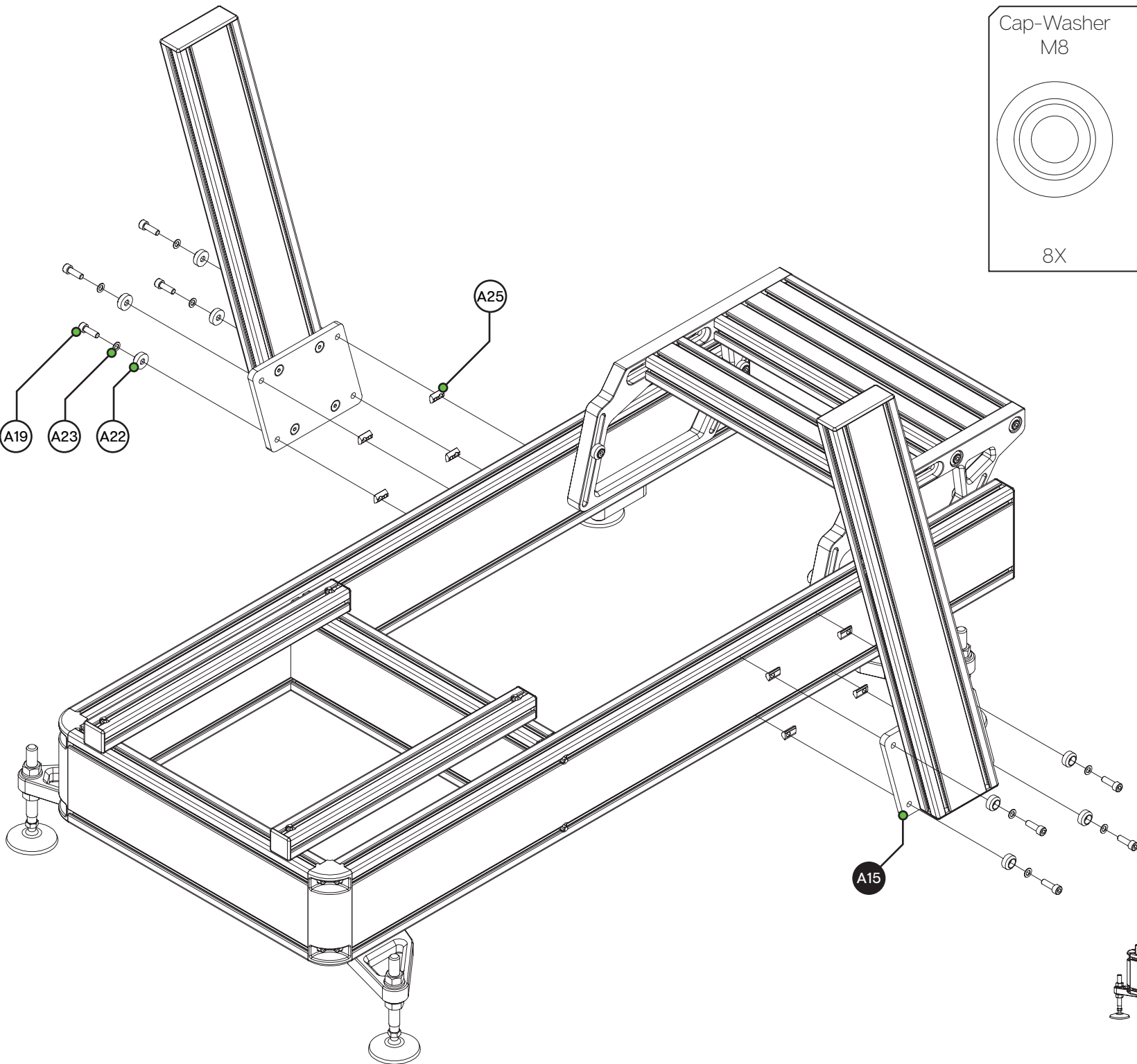


BUILD 2X

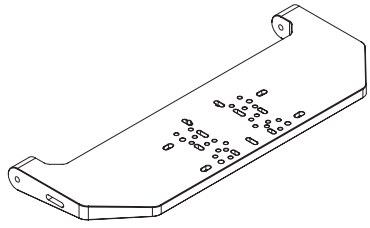


Part A14 is is angled, therefore only fits on the LEFT side of the cockpit.
For the RIGHT side of the upright assembly, see the next page.

Cap-Washer M8	M8 X 25	Washer M8 (DIN 988)	Slot-Nut M8
			
8X	8X	8X	8X

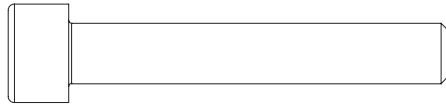


Wheel Deck



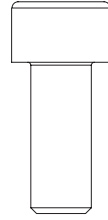
1X

M8 X 50
(D2)



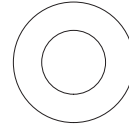
2X

M8 X 20
(D3)



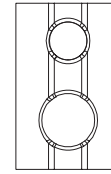
2X

Washer M8



4X

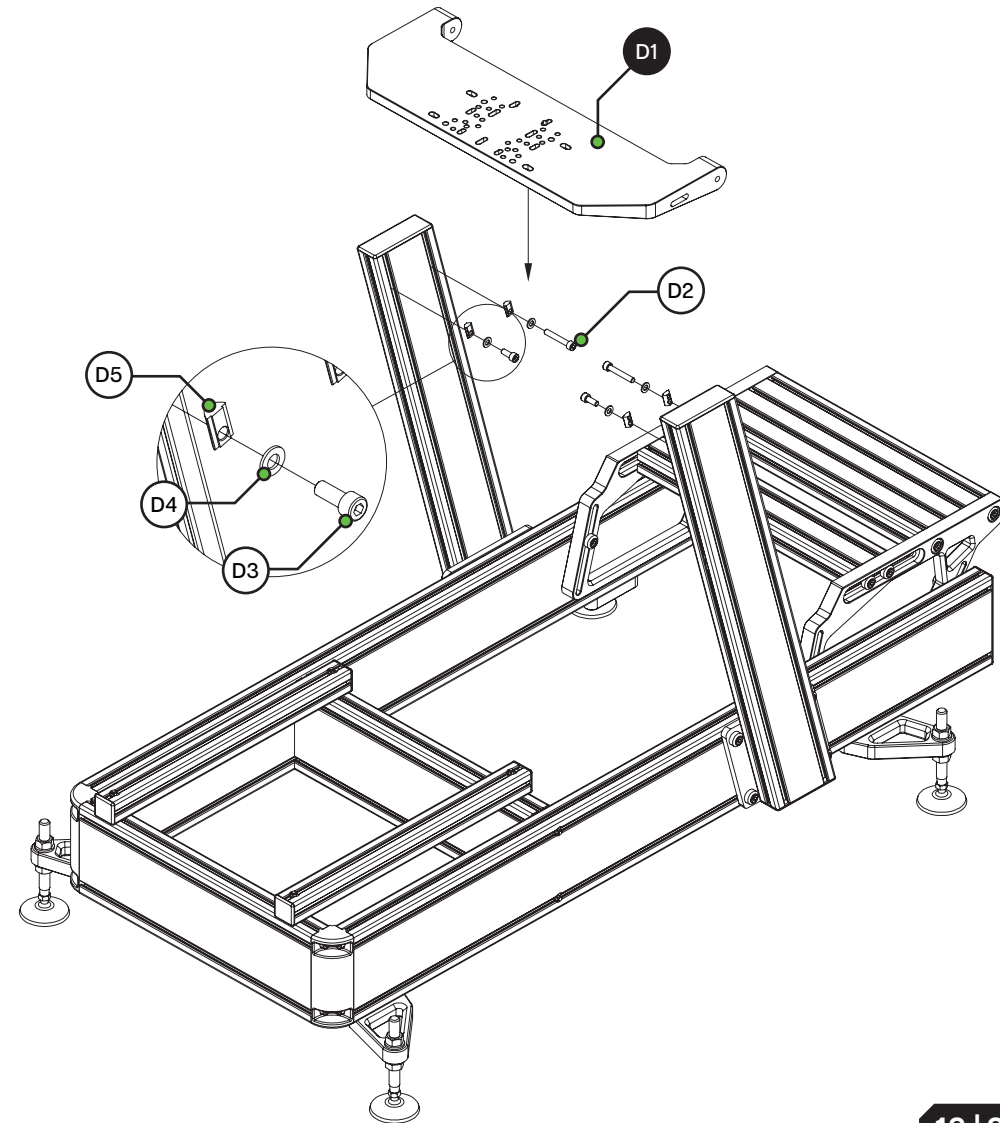
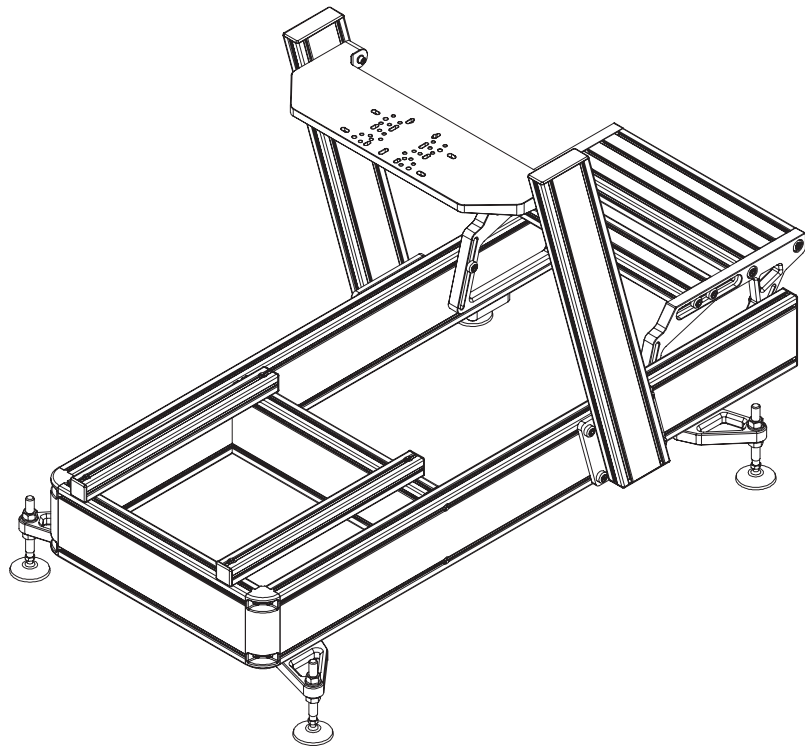
Slot-Nut M8

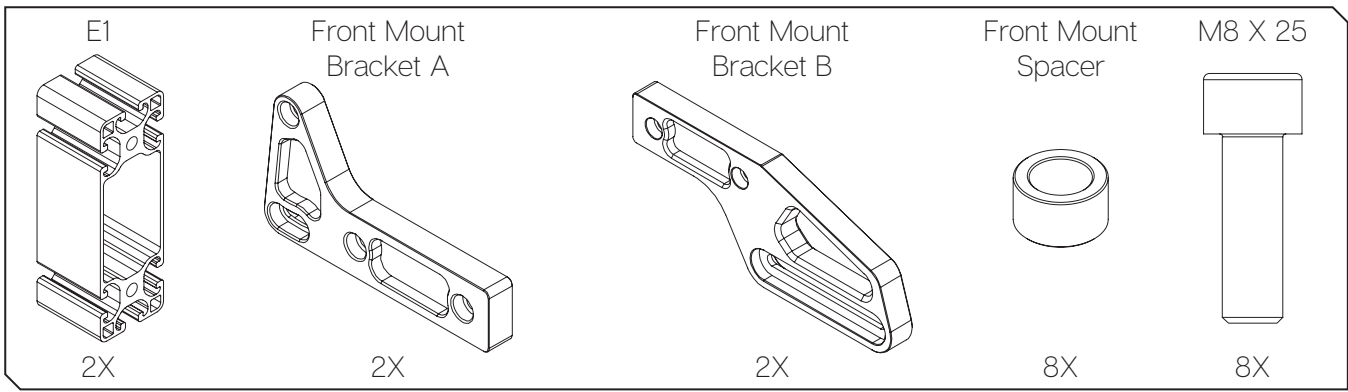


4X

If you purchased the 'Front Mount',
please see the next page.

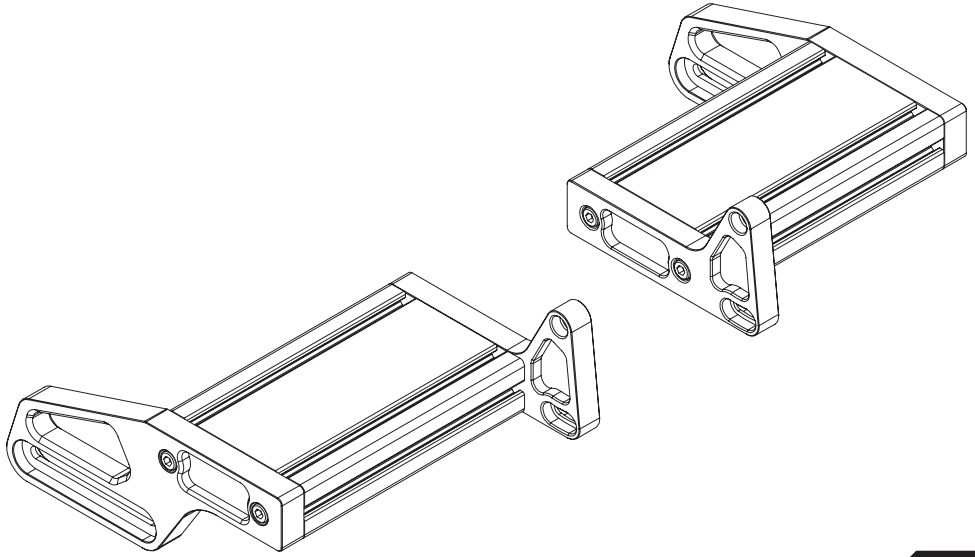
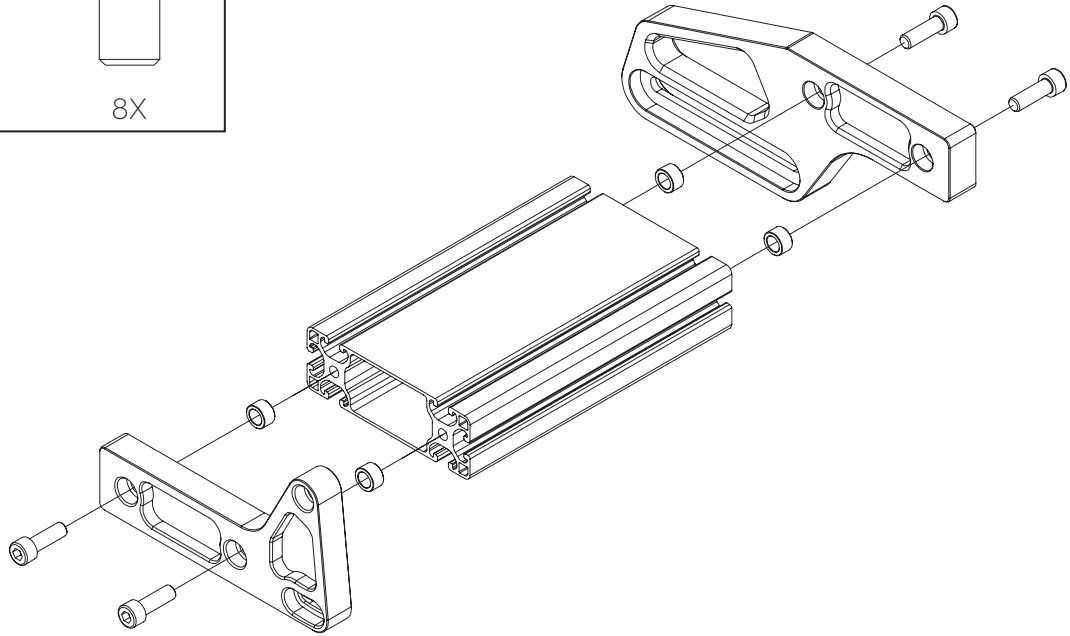
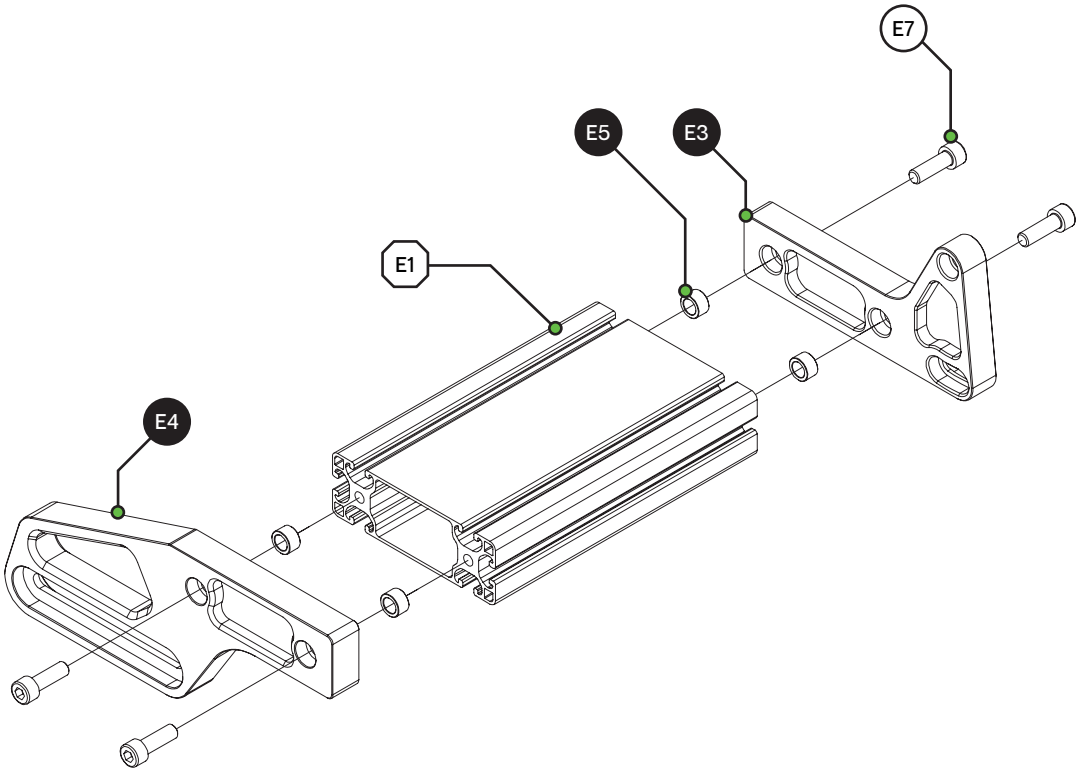
Normal assembly resumes with
the 'Side Mount' on page 19.





If you purchased the 'Fanatec DD Mount', please see page 16.

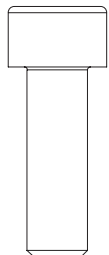
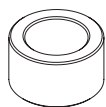
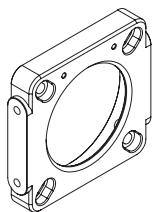
Normal assembly continues on the next page.



Front Mount

Front Mount
Spacer

M8 X 25

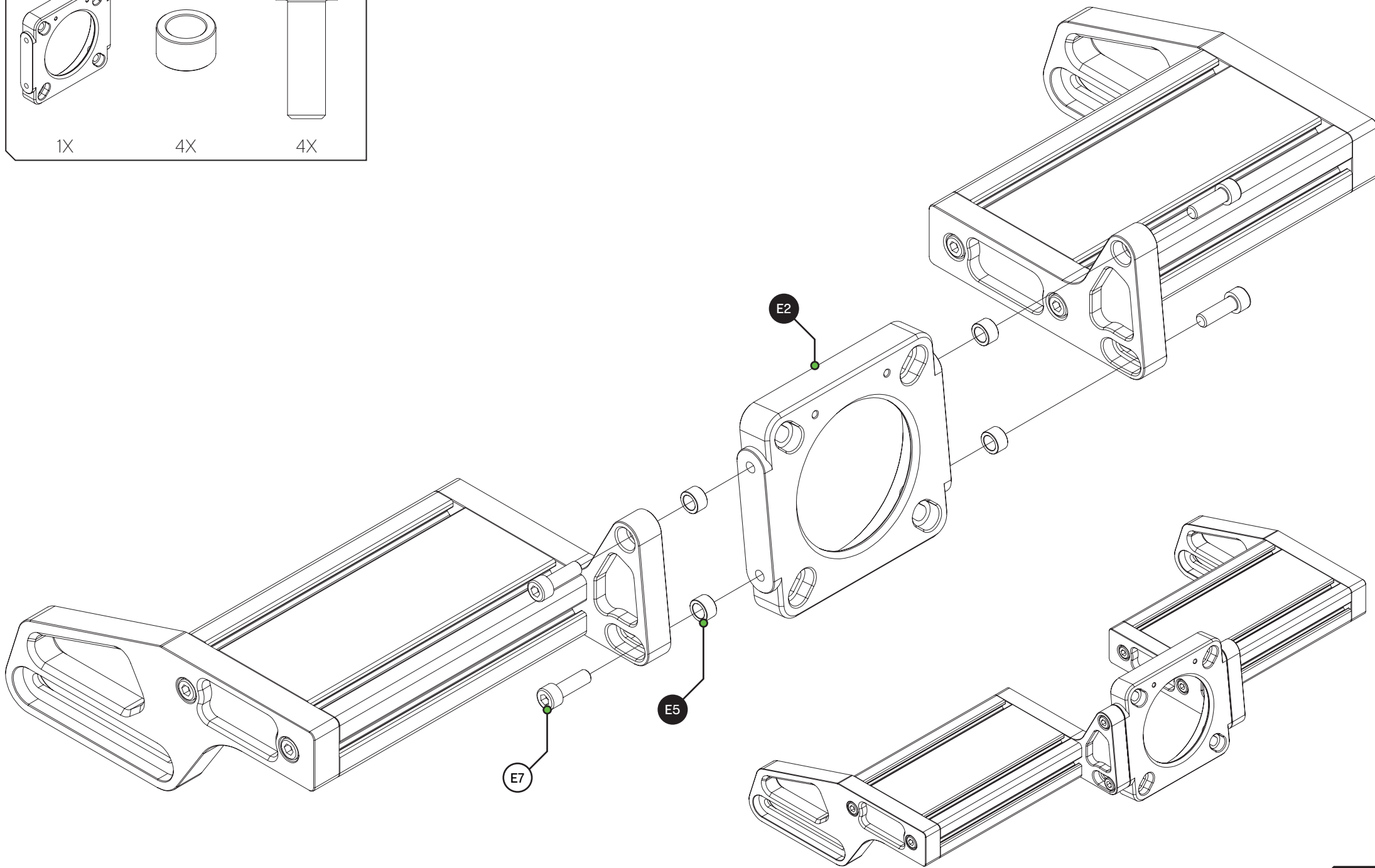


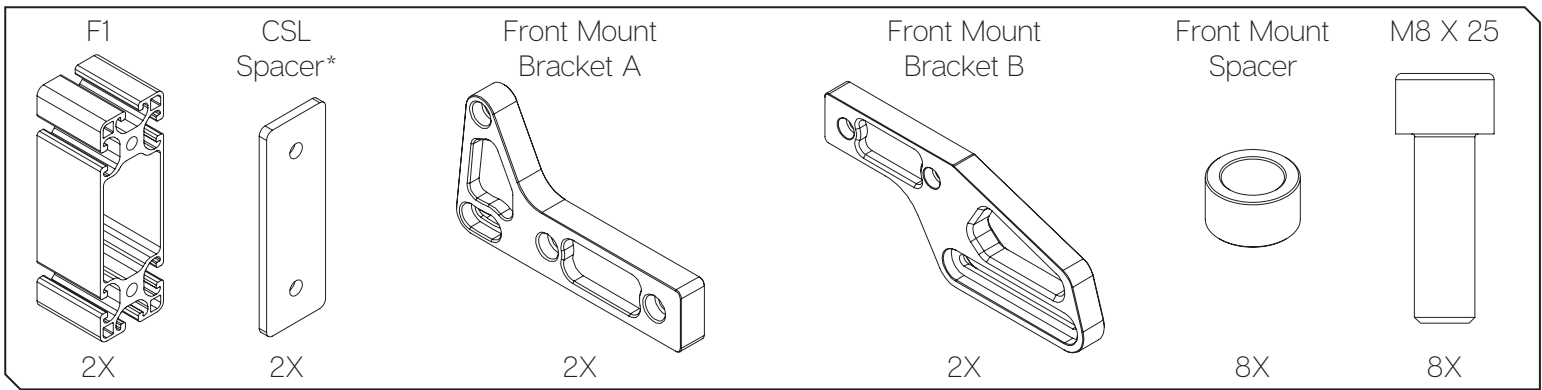
1X

4X

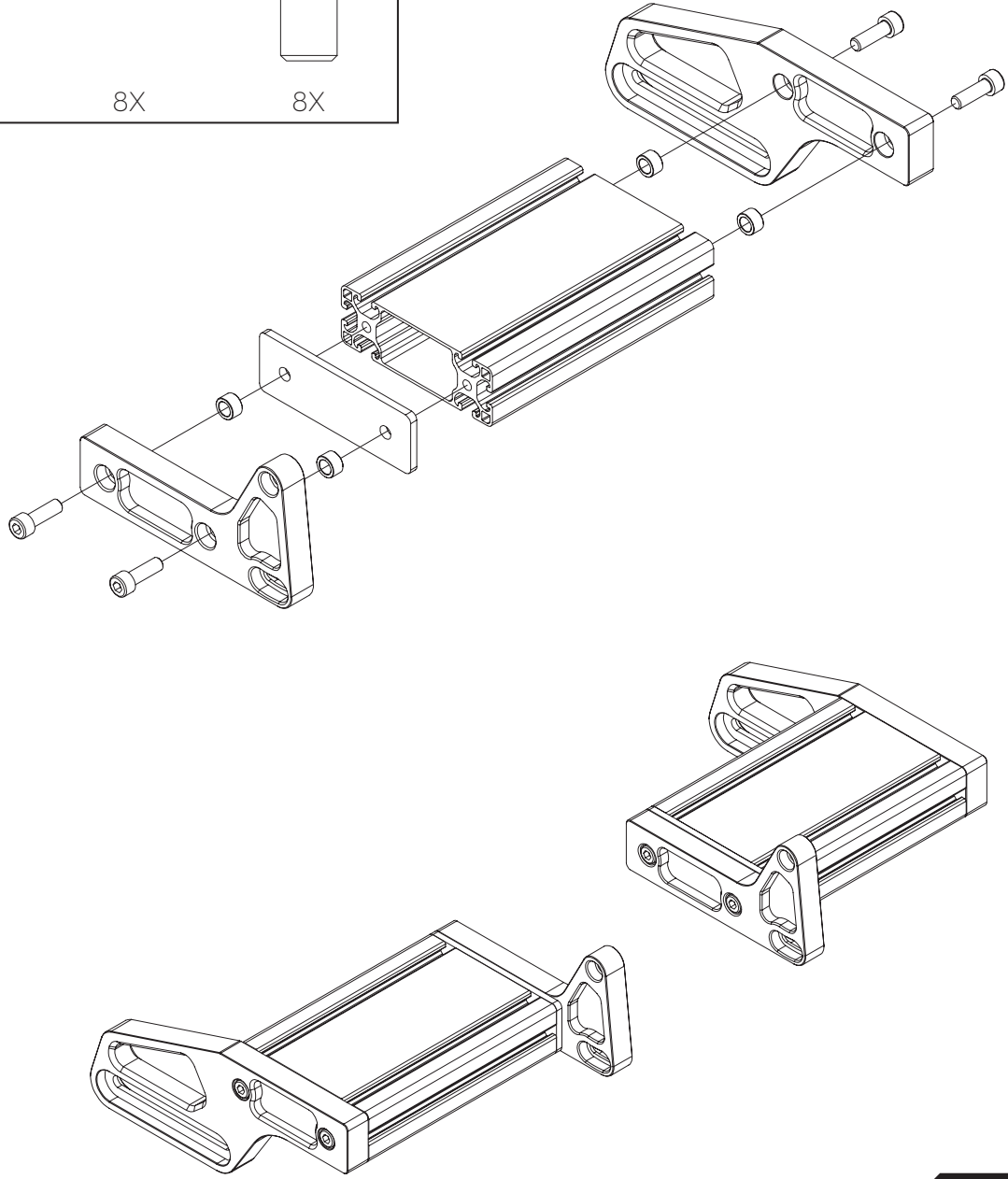
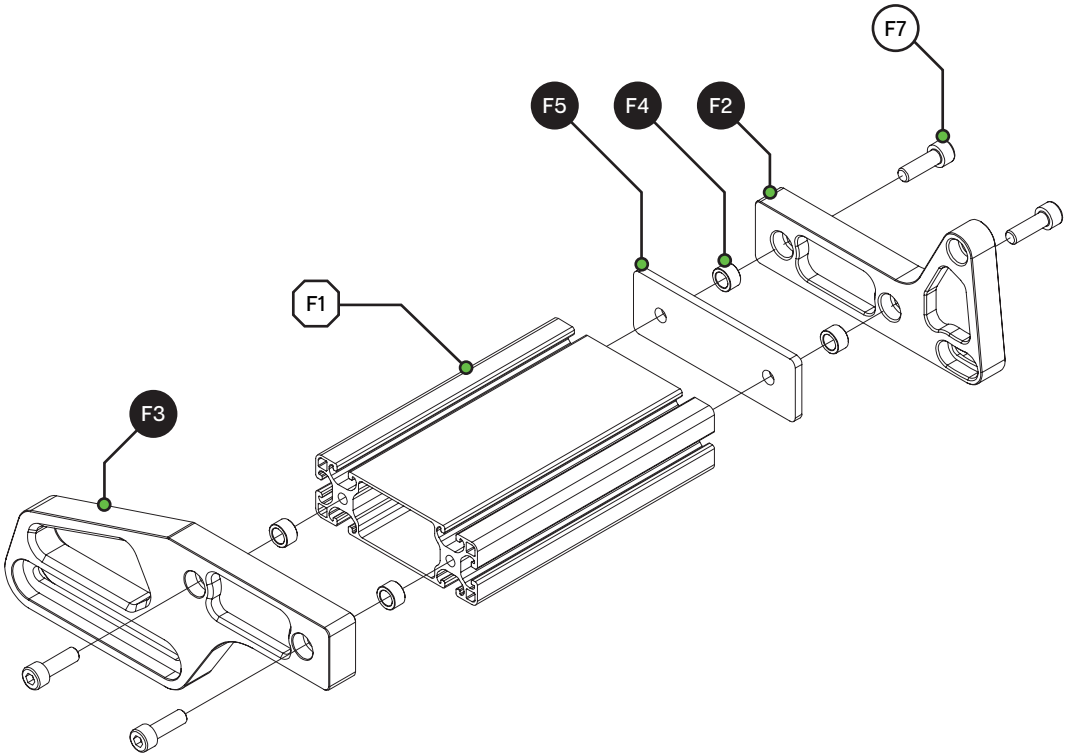
4X

Continue on page 18.



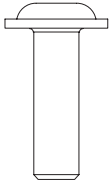
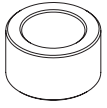


*Fanatec DD1/DD2 does NOT need the CSL Spacer.



Front Mount
Spacer

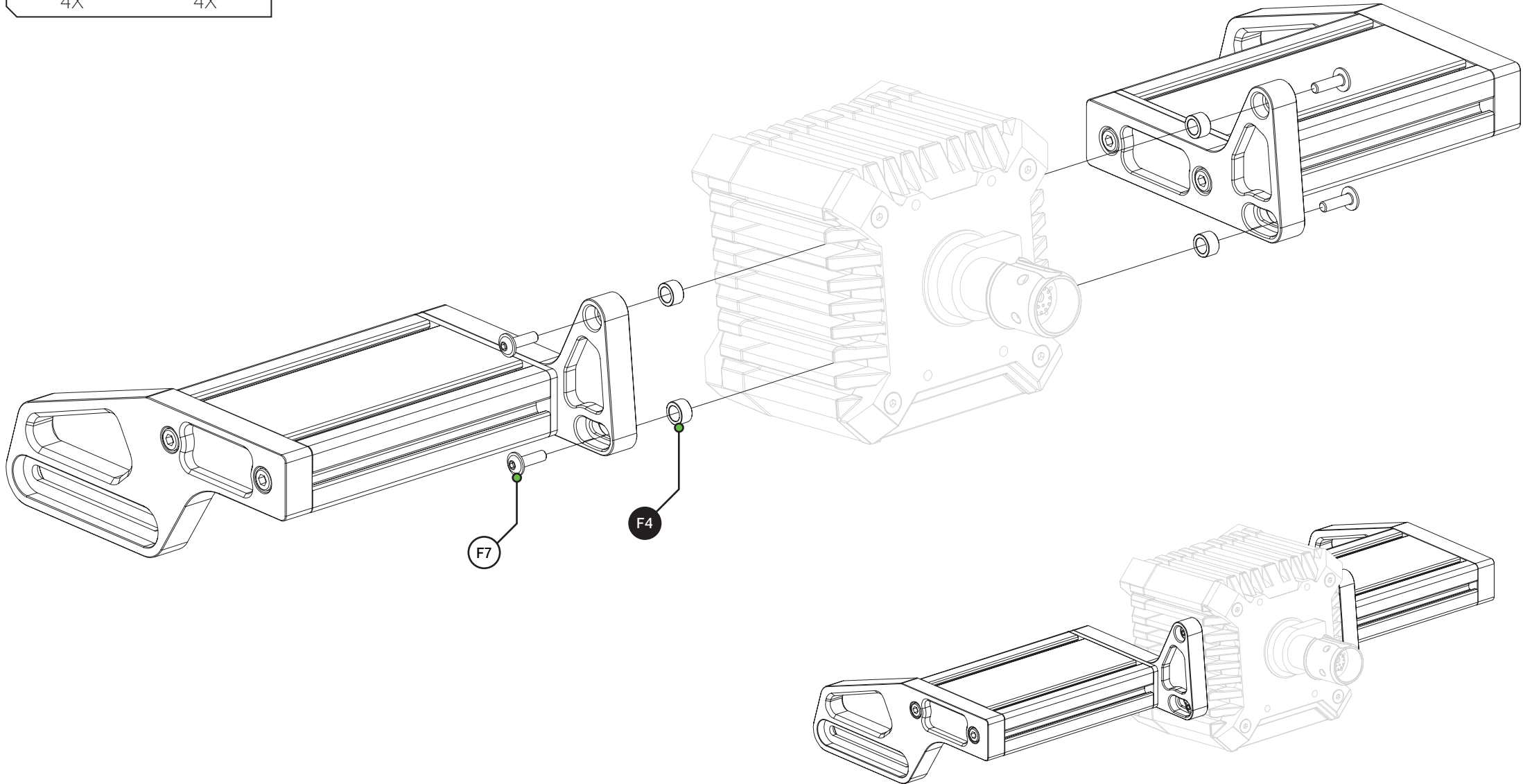
M6 X 20



4X

4X

Continue on page 18.

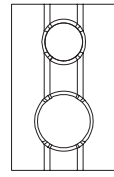
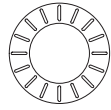
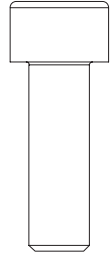
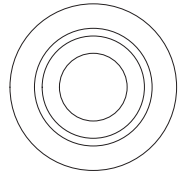


Cap-Washer
M8

M8 X 25

Washer M8
(DIN 988)

Slot-Nut M8



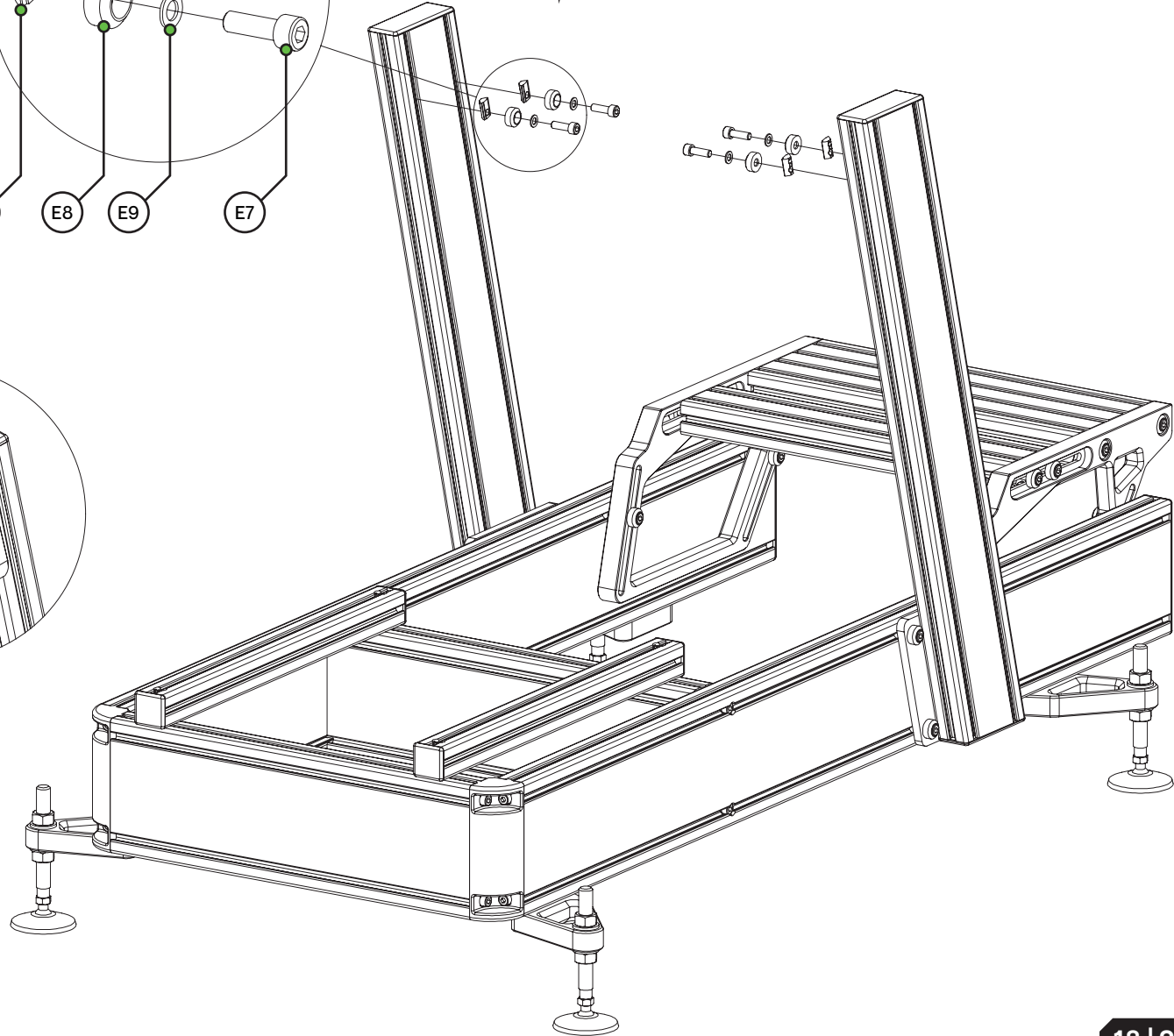
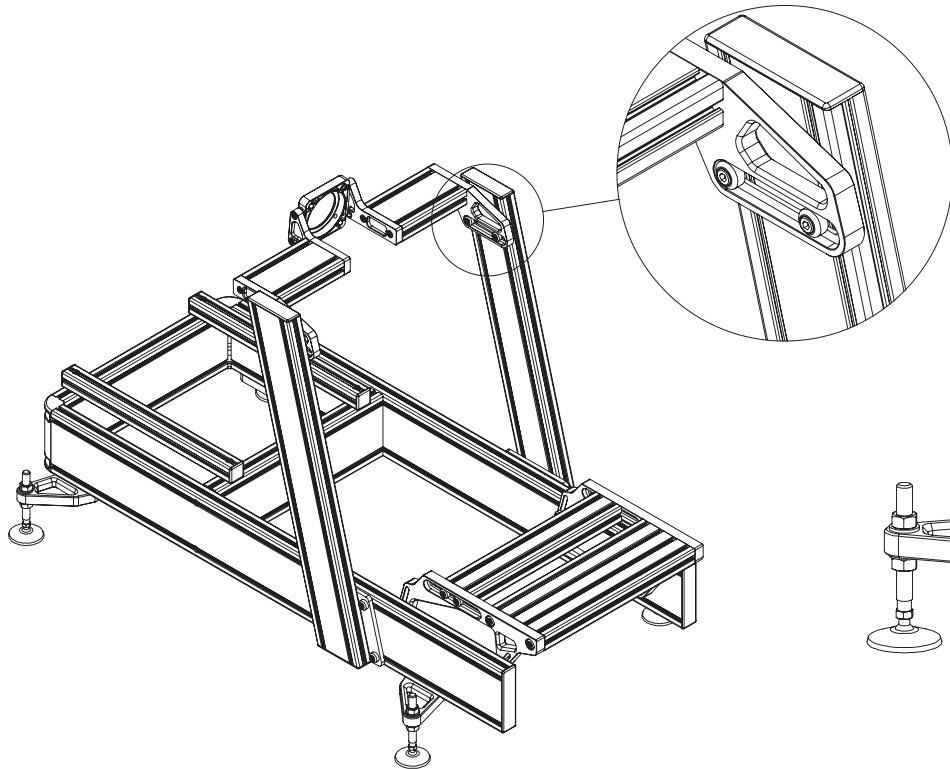
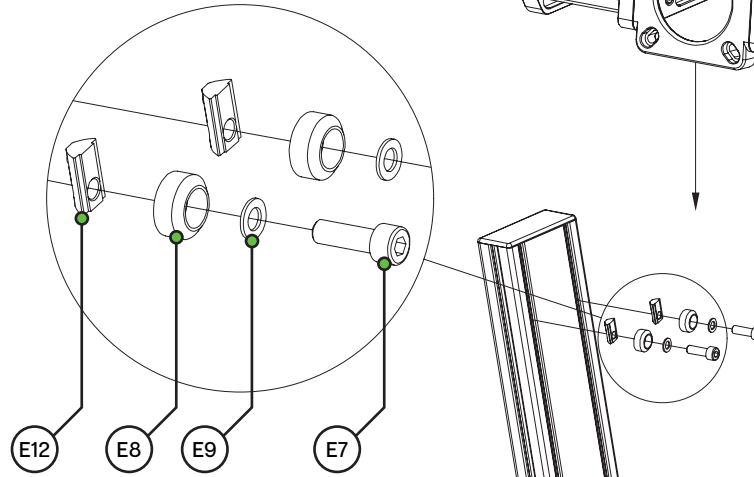
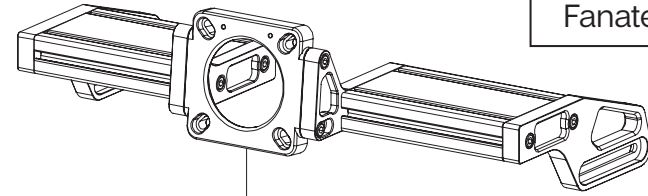
4X

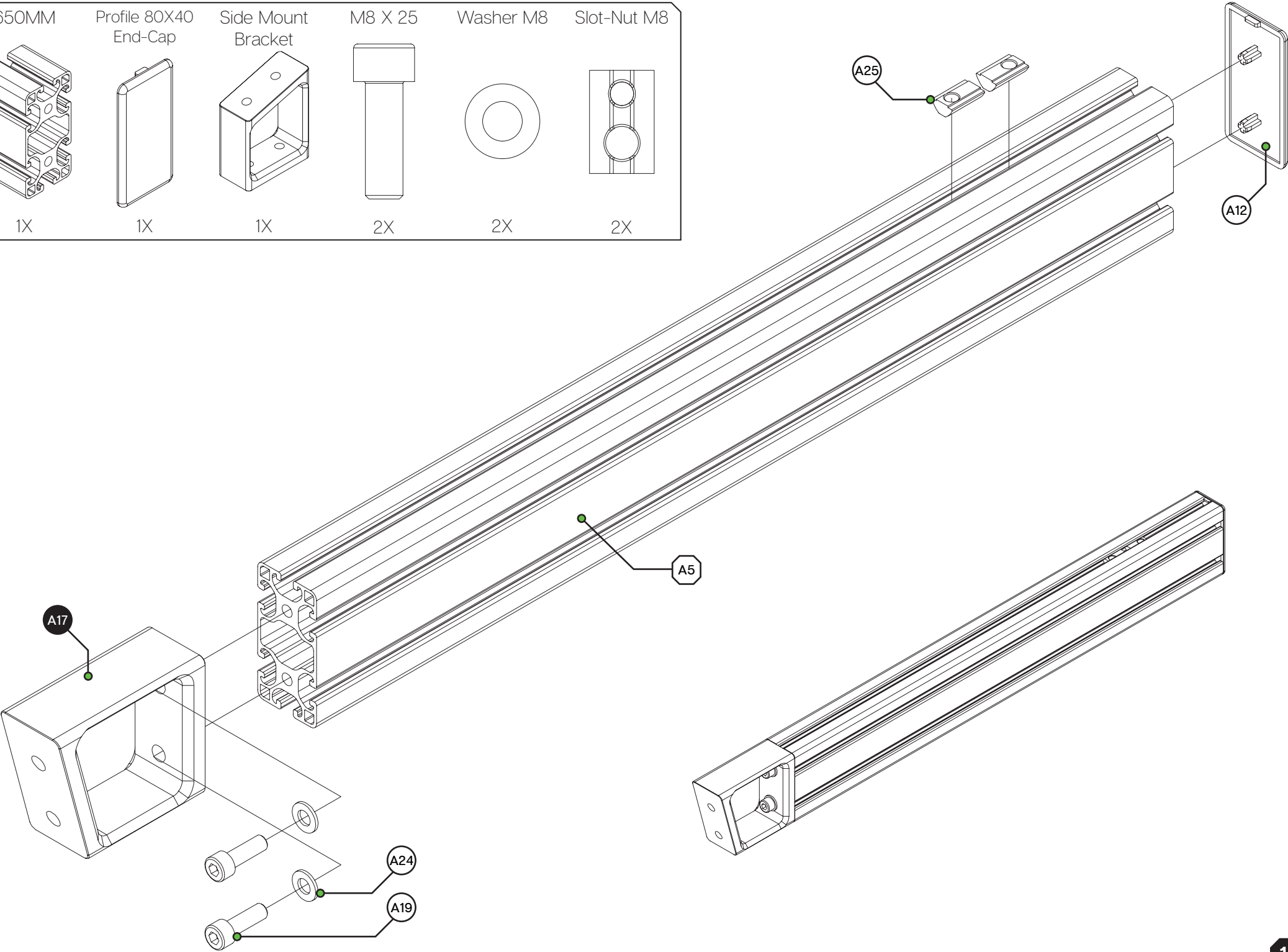
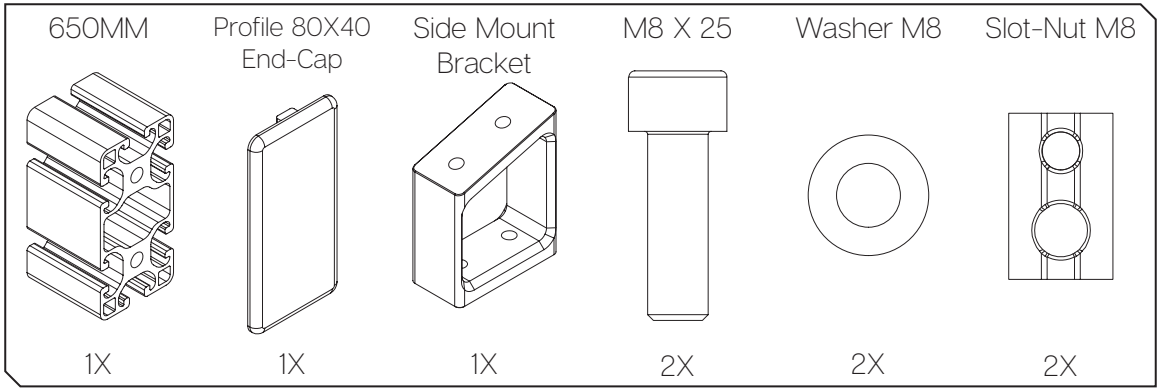
4X

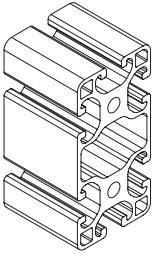
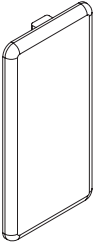
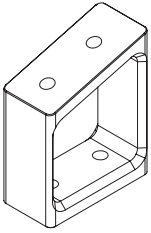
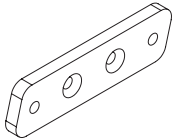
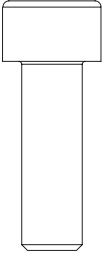
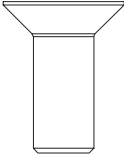
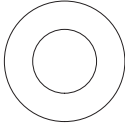
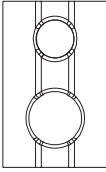
4X

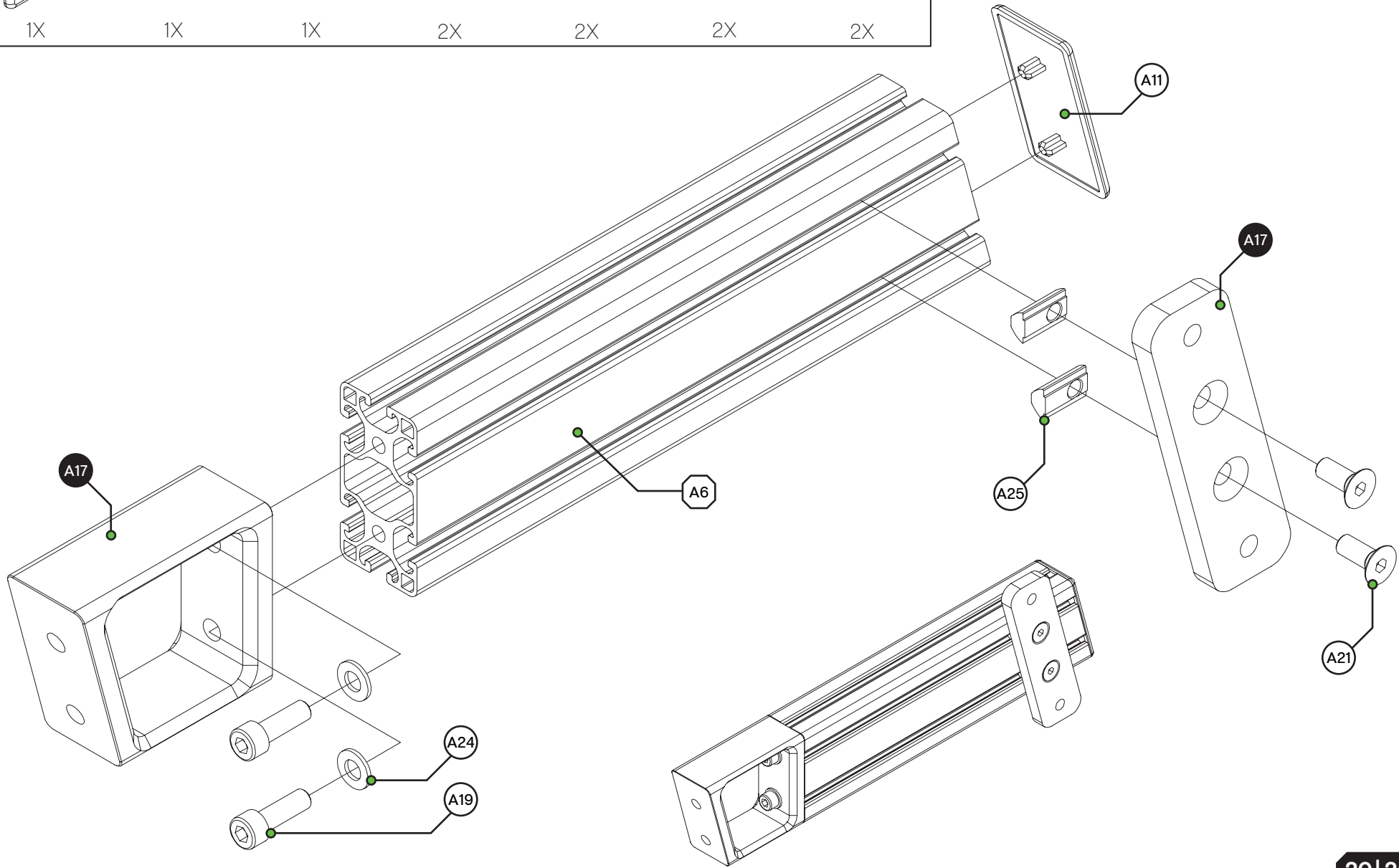
4X

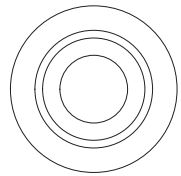
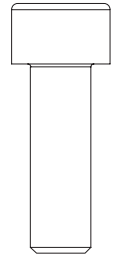
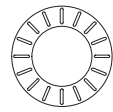
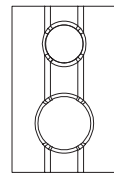
Part numbers for
Fanatec DD Mount differ.

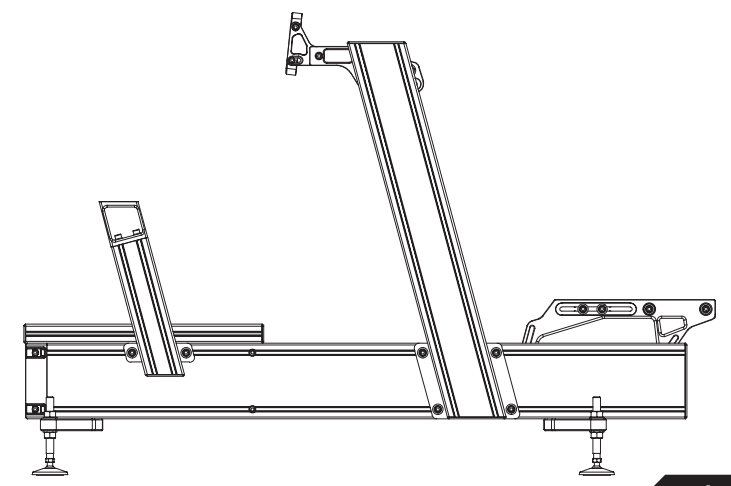
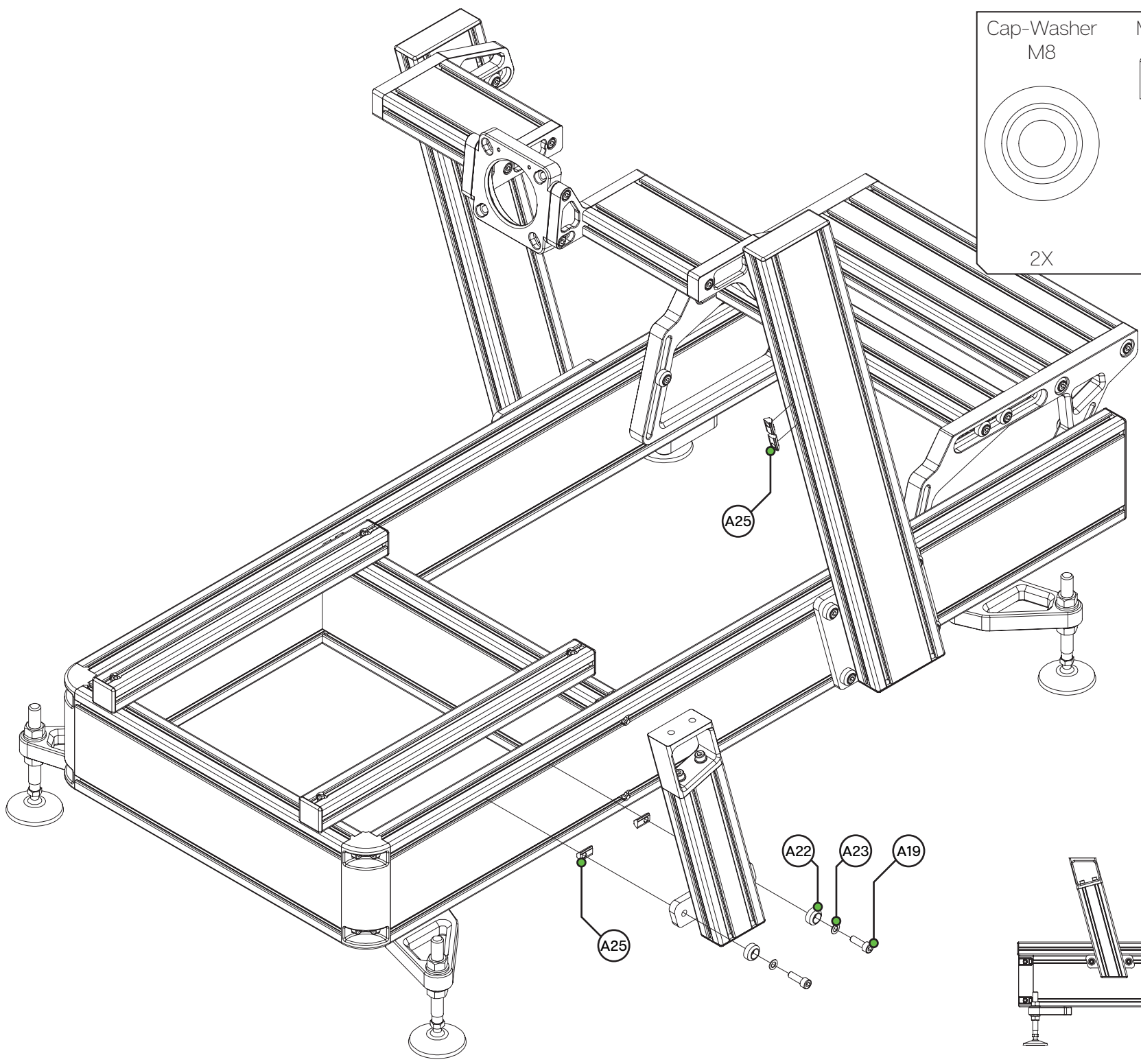




300MM	Profile 80X40 End-Cap Angled	Side Mount Bracket	Side Mount Sandwich Plate	M8 X 25	M8 X 20 (A21)	Washer M8	Slot-Nut M8
							
1X	1X	1X	1X	2X	2X	2X	2X

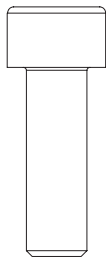


Cap-Washer M8	M8 X 25	Washer M8 (DIN 988)	Slot-Nut M8
			
2X	2X	2X	4X

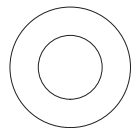


M8 X 25

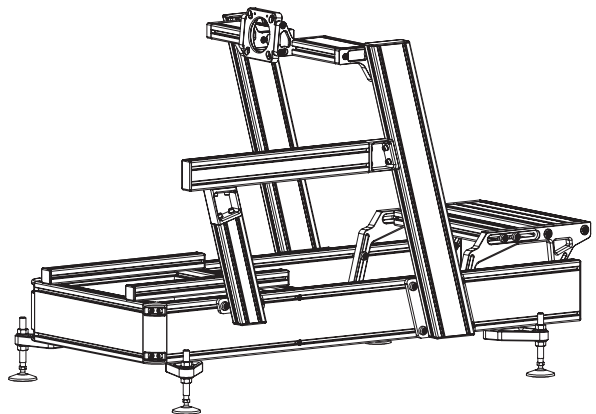
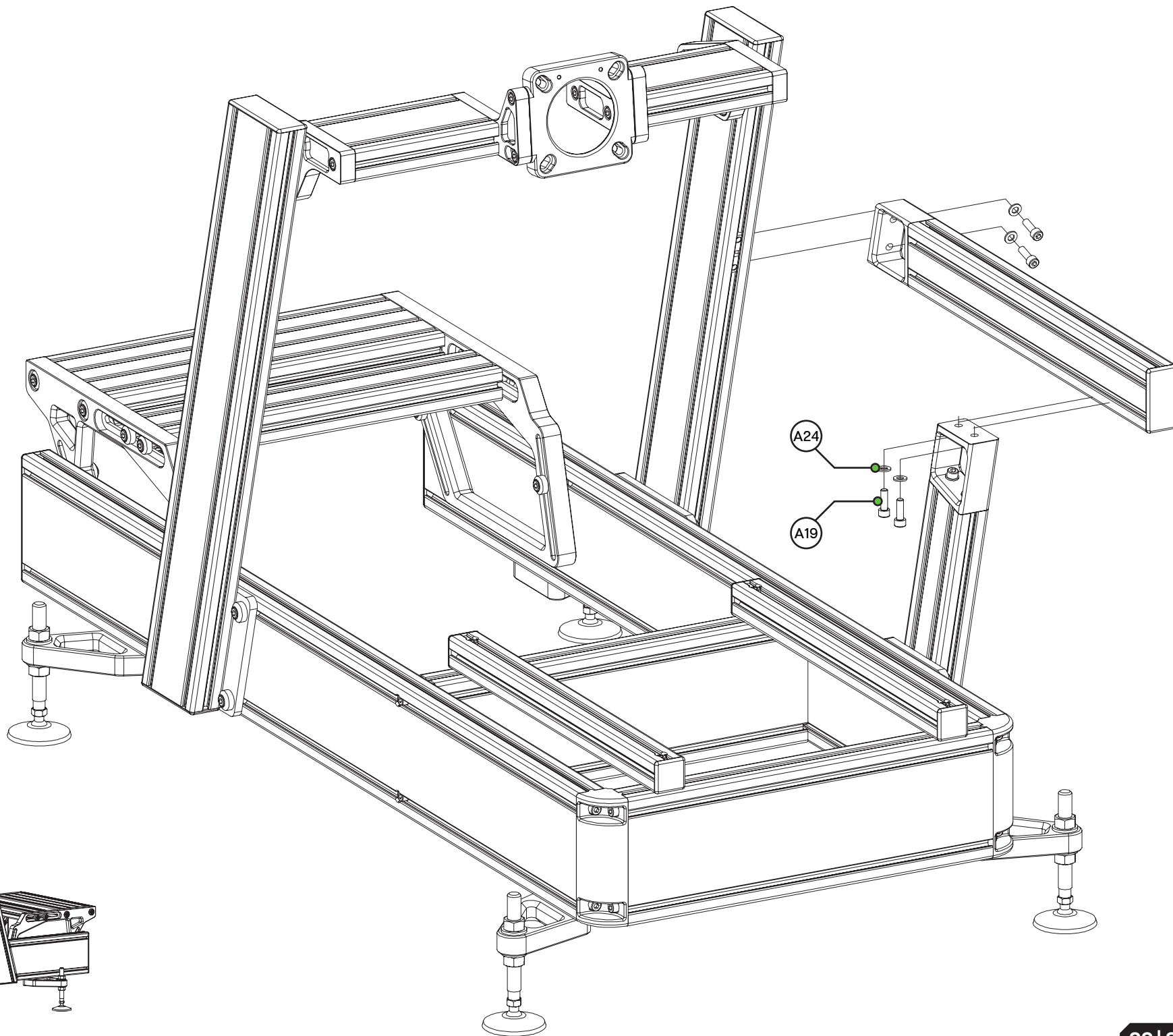
Washer M8



4X



4X



BOX A - P1-X Pro PROFILE KIT

#	Part	QTY	Note
A1	160X40 UL Length=1350mm	2	Machined.
A2	160X40 UL Length=500mm	1	Crossbeam.
A3	160X40 UL Length=490mm	1	Rear.
A4	120X40 Length=850mm	2	Uprights, angled.
A5	80X40 Length=650mm	1	Side mount.
A6	80X40 Length=300mm	1	Angled.
A7	40X40 Length=500mm	2	Machined.

HARDWARE KIT

A8	Corner bracket 160x40	2	
A9	Profile 160x40 end-cap	2	
A10	Profile 120x40 end-cap angled	4	
A11	Profile 80x40 end-cap angled	1	
A12	Profile 80x40 end-cap	1	
A13	Profile 40x40 end-cap	4	
A14	Upright sandwich plate LEFT	1	
A15	Upright sandwich plate RIGHT	1	
A16	Side mount sandwich plate	1	
A17	Side mount bracket	2	
A18	Bolt M8 X 40 DIN 912	8	
A19	Bolt M8 X 25 DIN 912	18	
A20	Bolt M8 X 20 DIN 912	8	
A21	Bolt M8 X 20 DIN 7991	10	Countersunk.
A22	Cap-Washer M8	10	
A23	Washer M8 DIN 988	18	
A24	Washer M8 DIN 125-A	8	
A25	Slot-Nut M8	28	

BOX B - Sim Feet HARDWARE KIT

#	Part	QTY	Note
B1	Foot support plate	4	
B2	Foot	4	Threaded ball-joint rod fitted.
B3	Bolt M8 X 25 DIN 912	8	
B4	Washer M16 DIN 125-A	8	
B5	Nut M16	8	4 pre-fitted.
B6	Slot-Nut M8	8	

BOX C - Pedal Deck PROFILE KIT

#	Part	QTY	Note
C1	160X40 Length=470mm	1	
C2	80X40 Length=470mm	1	

HARDWARE KIT

C3	Pedal deck bracket	2	
C4	Bolt M8 X 40 DIN 912	6	
C5	Bolt M8 X 30 DIN 912	8	
C6	Bolt M6 X 16 DIN 912	12	Extra.
C7	Bolt M5 X 16 DIN 912	12	Extra.
C8	Cap-Washer M8	14	
C9	Washer M8 DIN 988	14	
C10	Slot-Nut M8	6	
C11	Slot-Nut M6	12	Extra.
C12	Slot-Nut M5	12	Extra.

Disclaimer: for some entries on this page, we supply more than required as spare materials. Don't worry if you have some leftovers, this is intentional.

BOX D - Wheel Deck (optional purchase)**HARDWARE KIT**

#	Part	QTY	Note
D1	Wheel deck	1	
D2	Bolt M8 X 50 DIN 912	2	
D3	Bolt M8 X 20 DIN 912	2	
D4	Washer M8 DIN 125-A	4	
D5	Slot-Nut M8	4	

BOX E - Front Mount (optional purchase)**PROFILE KIT**

#	Part	QTY	Note
E1	120X40 UL Length=192mm	2	

HARDWARE KIT

E2	Front mount	1	
E3	Front mount bracket A	2	
E4	Front mount bracket B	2	
E5	Front mount spacer	12	
E6	Bolt M8 X 40 DIN 912	4	Extra.
E7	Bolt M8 X 25 DIN 912	16	
E8	Cap-Washer M8	4	
E9	Washer M8 DIN 988	4	
E10	Washer M8 DIN 125-A	4	Extra.
E11	Lock-Nut M8	4	Extra.
E12	Slot-Nut M8	4	

BOX F - Fanatec DD Mount (optional purchase)**PROFILE KIT**

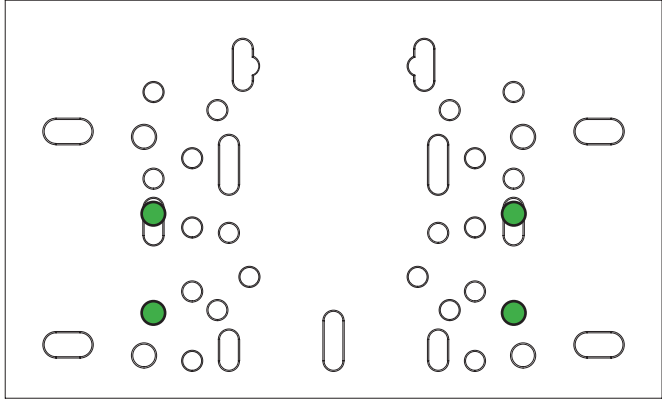
#	Part	QTY	Note
F1	120X40 UL Length=176mm	2	

HARDWARE KIT

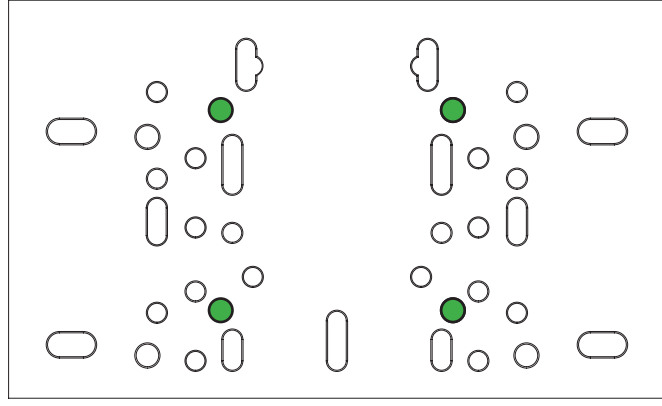
F2	Front mount bracket A	2	
F3	Front mount bracket B	2	
F4	Front mount spacer	12	
F5	CSL spacer	2	Only for CSL/GT DD.
F6	Bolt M8 X 25 DIN 912	12	
F7	Bolt M6 X 20 DIN 7380-2	4	
F8	Cap-Washer M8	4	
F9	Washer M8 DIN 988	4	
F10	Slot-Nut M8	4	

Disclaimer: for some entries on this page, we supply more than required as spare materials. Don't worry if you have some leftovers, this is intentional.

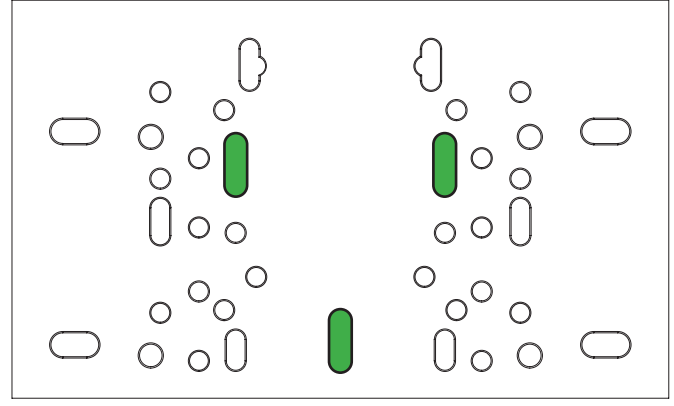
Accuforce 1/2



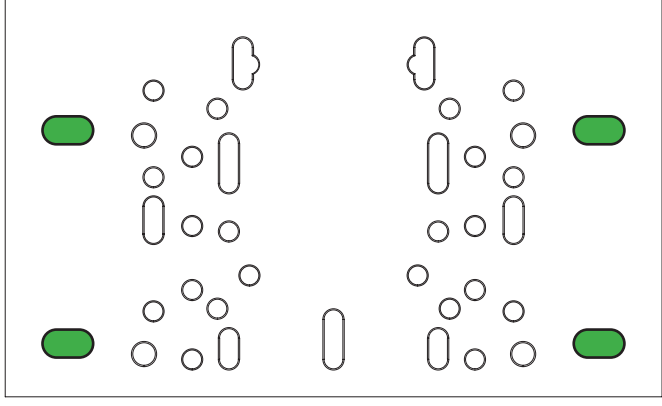
Asetek Forte/Invicta/Prima



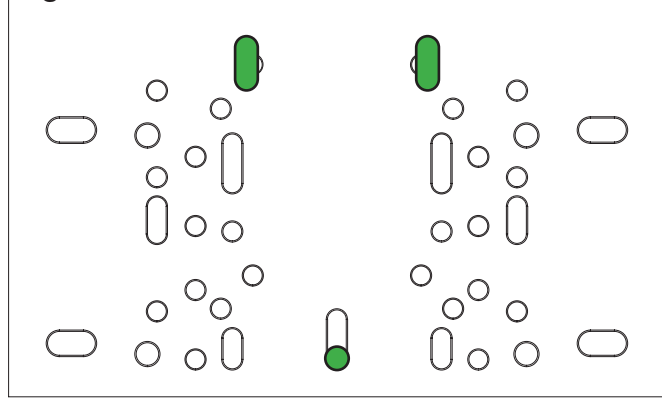
Fanatec



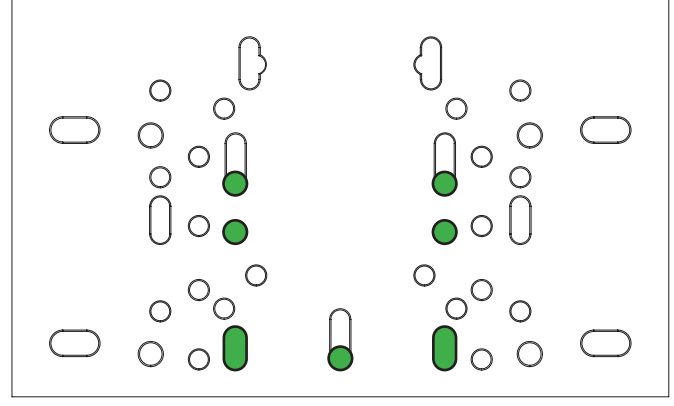
HRS/Sim-Lab Servo Mount



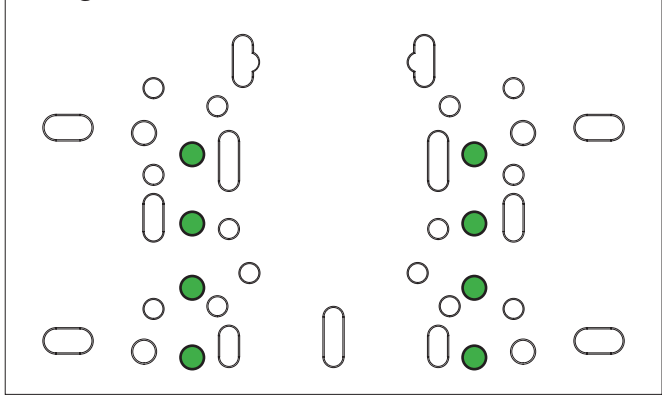
Logitech



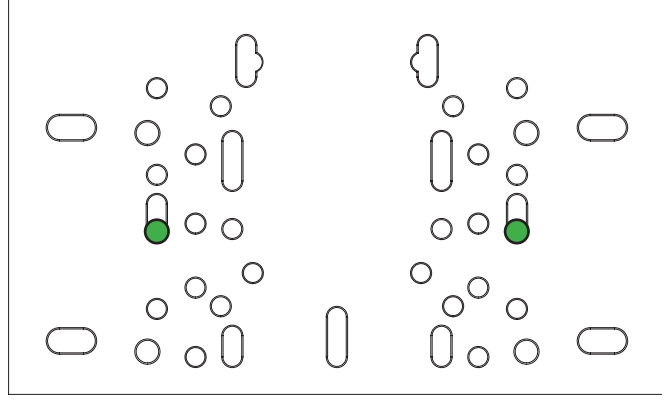
MOZA



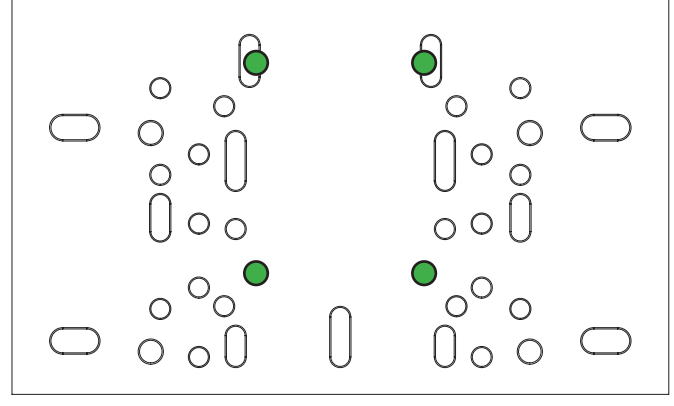
Simagic



Thrustmaster



Thrustmaster T818



If you still have some questions regarding assembly of this product or about the manual itself, please refer to our support department. They can be reached at

support@sim-lab.eu

Alternatively, we now have a Discord server where there are quite some experienced Sim-Lab customers hanging out. They might just help you along if you ask them nicely ;)

www.sim-lab.eu/discord

If you feel like printing this manual, please consider the environment before doing so. For the best results, make sure you print at 100% scale without borders.

[Product page on the Sim-Lab website:](#)

